
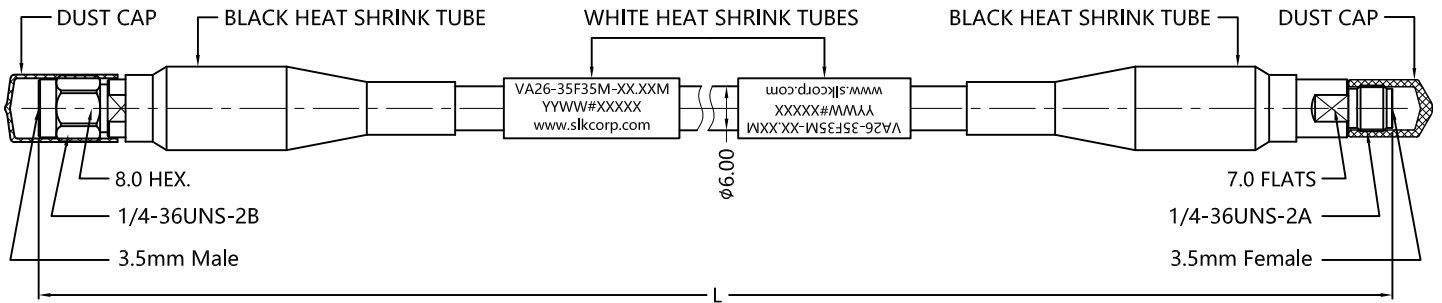


REV.	DESCRIPTION	ECN NO.	NAME	DATE	 ALL PARTS MUST MEET TO RoHS REQUIREMENTS
0	FIRST EDITION	N/A	YWD	2021-07-13	



4	VA26-35F35M-02.00M	2000 ⁺³⁰ ₀	<5.2
3	VA26-35F35M-01.50M	1500 ⁺³⁰ ₀	<4.3
2	VA26-35F35M-01.00M	1000 ⁺²⁰ ₀	<3.1
1	VA26-35F35M-00.50M	500 ⁺¹⁰ ₀	<1.9
NO.	DRAWING NO.	L(LENGTH,mm)	INSERTION LOSS(dB)

MATERIALS AND PLATING UNIT: MICRO-INCHES			
PART TYPE	PART NAME	MATERIALS	PLATING
3.5mm MALE & FEMALE	BODY/SHELL	STAINLESS STEEL	PASSIVATION
	INSULATOR	PEI	N/A
	CONTACT PIN	BERYLLIUM COPPER	GOLD /COPPER
	DUST CAP	PVC	BLACK
CABLE	TEST CABLE		

ELECTRICAL CHARACTERISTICS	
IMPEDANCE	50 Ω
VOLTAGE RATING	250 V(rms)
FREQUENCY RANGE	DC ~ 26.5 GHz
DIELECTRIC WITHSTANDING VOLTAGE	>750 V
INSULATION RESISTANCE	>1000 MΩ
INSERTION LOSS	See Tables
VSWR	<1.30
RF- LEAKAGE	>90 dB
MECHANICAL PHASE STABILITY	≤±5°
MECHANICAL AMPLITUDE STABILITY	<±0.05 dB

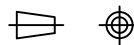
MECHANICAL CHARACTERISTICS	
MIN. BENDING RADIUS ,STATIC	30 mm
MIN. BENDING RADIUS ,REPEATED	60 mm
RECOMMENDED COUPLING TORQUE	7-10 in-lbs
COUPLING NUT RETENTION FORCE	>60 lbs
DURABILITY	>500 cycles
CABLE RETENTION FORCE	>60 lbs
CRUSH RESISTANCE	40 KN/M

ENVIRONMENTAL PARAMETER	
TEMPERATURE RANGE	-40 °C~+85 °C

*** CUSTOMER OUTLINE DRAWING**

UNLESS OTHERWISE SPECIFIED:
1) EDGES : N/A ;
2) REMOVE ALL BURRS : N/A ;
3) SURFACE ROUGHNESS : N/A ;
4) UNITS : mm ;
5) DIMENSIONS TOLERANCES
DECIMALS : .x ±5, .xx ±2, .xxx±1;
ANGLES : ±10°.

THIRD ANGLE PROJECTION



APPROVED :

CUSTOMER P/N :

CHECKED :

SCALE :

1 : 1

DRAWING :

DATE : 2021-07-13



TITLE : 3.5mm FEMALE S/T TO 3.5mm MALE S/T FOR TEST CABLE

DRAWING NO. :

VA26-35F35M-XXXXM(See Tables)

COMPANY WEBSITE : www.slkcorp.com

CUSTOMER OUTLINE DRAWING