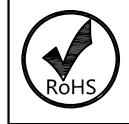
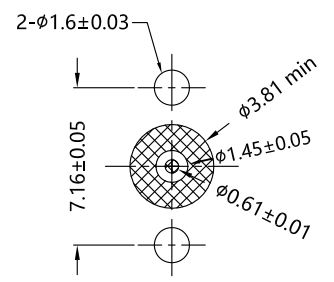
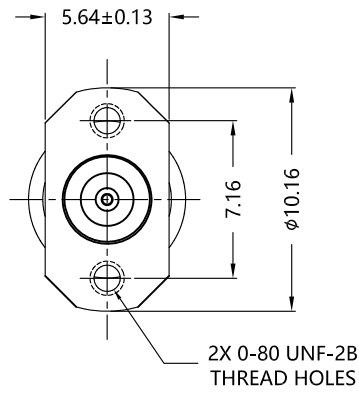
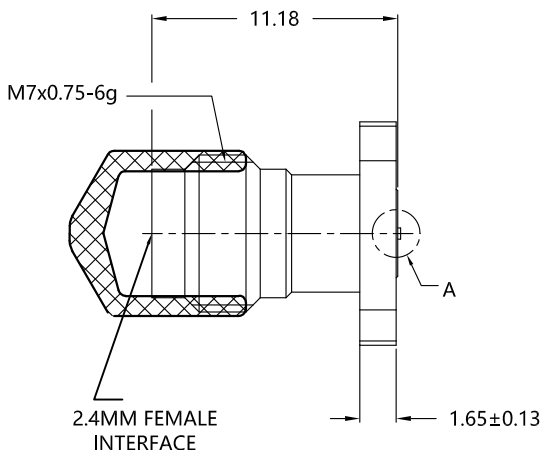


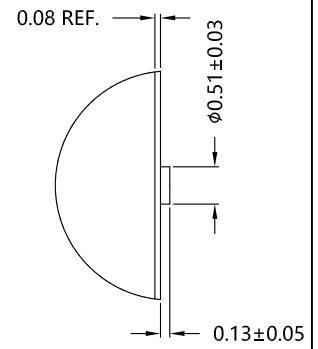
REV.	DESCRIPTION	ECN NO.	NAME	DATE
1	NEW FRAME	N/A	JING	2020-08-10



ALL PARTS MUST MEET TO RoHS REQUIREMENTS



RECOMMENDED PCB LAYOUT



DETAIL A SCALE 20:1

MATERIALS AND PLATING		UNIT: MICRO-INCHES
PART NAME	MATERIALS	PLATING
BODY	STAINLESS STEEL	PASSIVATION
INSULATOR	PEI	N/A
CONTACT PIN	Be-Cu C17300	GOLD 50u"/ COPPER
DUST CAP	PVC	N/A

ELECTRICAL CHARACTERISTICS	
IMPEDANCE	50 Ω
VOLTAGE RATING	335 V(rms)
FREQUENCY RANGE	0 ~ 50 GHz
DIELECTRIC WITHSTANDING VOLTAGE	> 500 V
CONTACT RESISTANCE	CENTER CONTACT < 3.0 mΩ
	OUTER CONTACT < 2.0 mΩ
INSULATION RESISTANCE	> 5000 MΩ
INSERTION LOSS	0.05 <sub>v</sub> /F(GHZ) dB
RF-LEAKAGE	N/A
VSWR	< 1.30
3RD INTERMODULATION	N/A

MECHANICAL CHARACTERISTICS	
FORCE TO ENGAGE AND DISENGAGE	N/A
CENTER CONTACT RETENTION FORCE	> 6 lbs
RECOMMENDED COUPLING TORQUE	N/A
COUPLING NUT RETENTION FORCE	N/A
DURABILITY	> 500 cycles

ENVIRONMENTAL PARAMETER	
TEMPERATURE RANGE	-40 °C ~ +125 °C

\* CUSTOMER OUTLINE DRAWING

UNLESS OTHERWISE SPECIFIED:  
 1) EDGES : C0.15 MAX ;  
 2) REMOVE ALL BURRS ;  
 3) SURFACE ROUGHNESS : Ra1.6 ;  
 4) UNITS : mm ;  
 5) DIMENSIONS TOLERANCES  
 DECIMALS : .x ±0.3 .xx ±0.2 .xxx±0.1;  
 ANGLES : ± 5°.

THIRD ANGLE PROJECTION	
APPROVED :	CUSTOMER P/N :
CHECKED :	SCALE :
DRAWING :	DATE :
JING	2020-08-10
PAGE : 1/1	

TITLE : 2.4MM FEMALE CONNECTOR WITH 2 THREAD MOUNTING HOLES FOR PCB, 50Ω  
 DRAWING NO. : 5P4F25S-H21  
 COMPANY WEBSITE : www.slkcorp.com

CUSTOMER OUTLINE DRAWING