
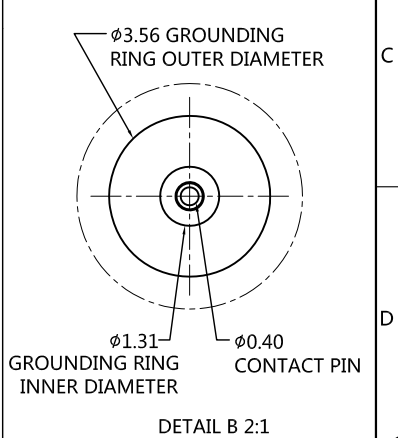
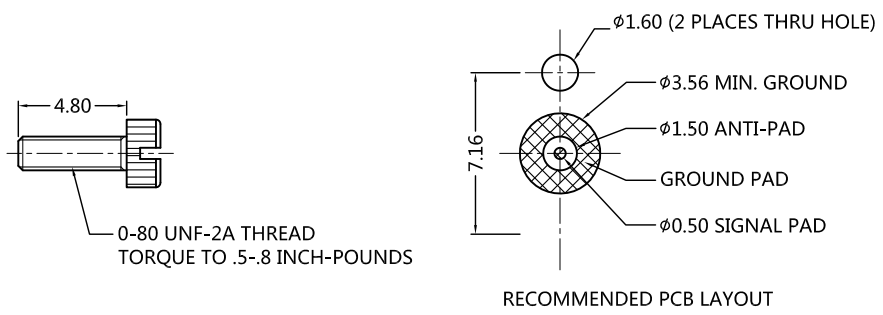
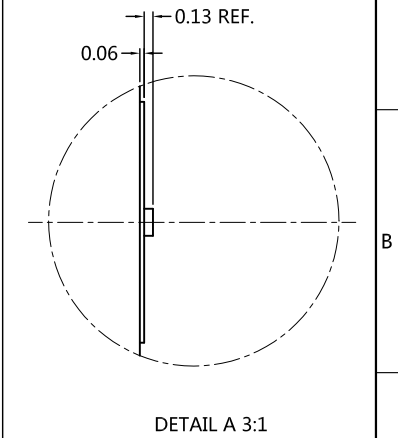
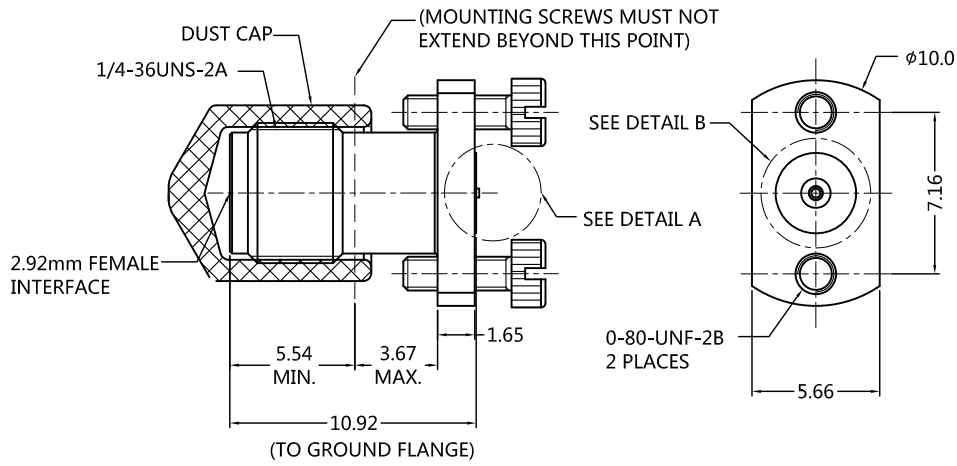


REV.	DESCRIPTION	ECN NO.	NAME	DATE	 ALL PARTS MUST MEET TO RoHS REQUIREMENTS
0-2	ADD DUST CAP	N/A	WYJ	2016-09-05	
3	NEW FRAME	N/A	HYH	2020-07-07	



MATERIALS AND PLATING		UNIT: MICRO-INCHES
PART NAME	MATERIALS	PLATING
BODY	STAINLESS STEE	PASSIVATE
CONTACT PIN	BE-CU C17300	GOLD PL.30u"/NICKEL/COPPER
INSULATOR	ENGINEERING PLASTICS	N/A
SCREW	STAINLESS STEEL	PASSIVATE
DUST CAP	PVC	BLACK

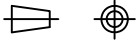
ELECTRICAL CHARACTERISTICS	
IMPEDANCE	50 Ω
VOLTAGE RATING	335 V(rms)
FREQUENCY RANGE	0 ~ 40 GHz
DIELECTRIC WITHSTANDING VOLTAGE	500 V
CONTACT RESISTANCE	CENTER CONTACT <3.0 mΩ
	OUTER CONTACT <2.0 mΩ
INSULATION RESISTANCE	>5000 MΩ
INSERTION LOSS	<0.10√F(GHz) dB
VSWR	<1.30
3RD INTERMODULATION	N/A

MECHANICAL CHARACTERISTICS	
FORCE TO ENGAGE AND DISENGAGE	< 4.5 N
CENTER CONTACT RETENTION FORCE	>26 N
RECOMMENDED COUPLING TORQUE	N/A
COUPLING NUT RETENTION FORCE	N/A
DURABILITY	>500 cycles

ENVIRONMENTAL PARAMETER	
TEMPERATURE RANGE	-40 °C ~ +85 °C

*** CUSTOMER OUTLINE DRAWING**

UNLESS OTHERWISE SPECIFIED:
 1) EDGES : C0.15 MAX ;
 2) REMOVE ALL BURRS ;
 3) SURFACE ROUGHNESS : Ra1.6 ;
 4) UNITS : mm ;
 5) DIMENSIONS TOLERANCES
 DECIMALS : .x ±0.3 .xx ±0.2 .xxx±0.1;
 ANGLES : ± 5°.

THIRD ANGLE PROJECTION		
APPROVED :	CUSTOMER P/N :	
CHECKED :	SCALE :	1 : 1
DRAWING :	DATE :	2020-07-17
HYH	PAGE :	1/1


 TITLE : 2.92mm FEMALE S/T FIELD REPLA CEABLE,50Ω
 DRAWING NO. : 5P9F84S-H01-001
 COMPANY WEBSITE : www.slkcorp.com

CUSTOMER OUTLINE DRAWING