
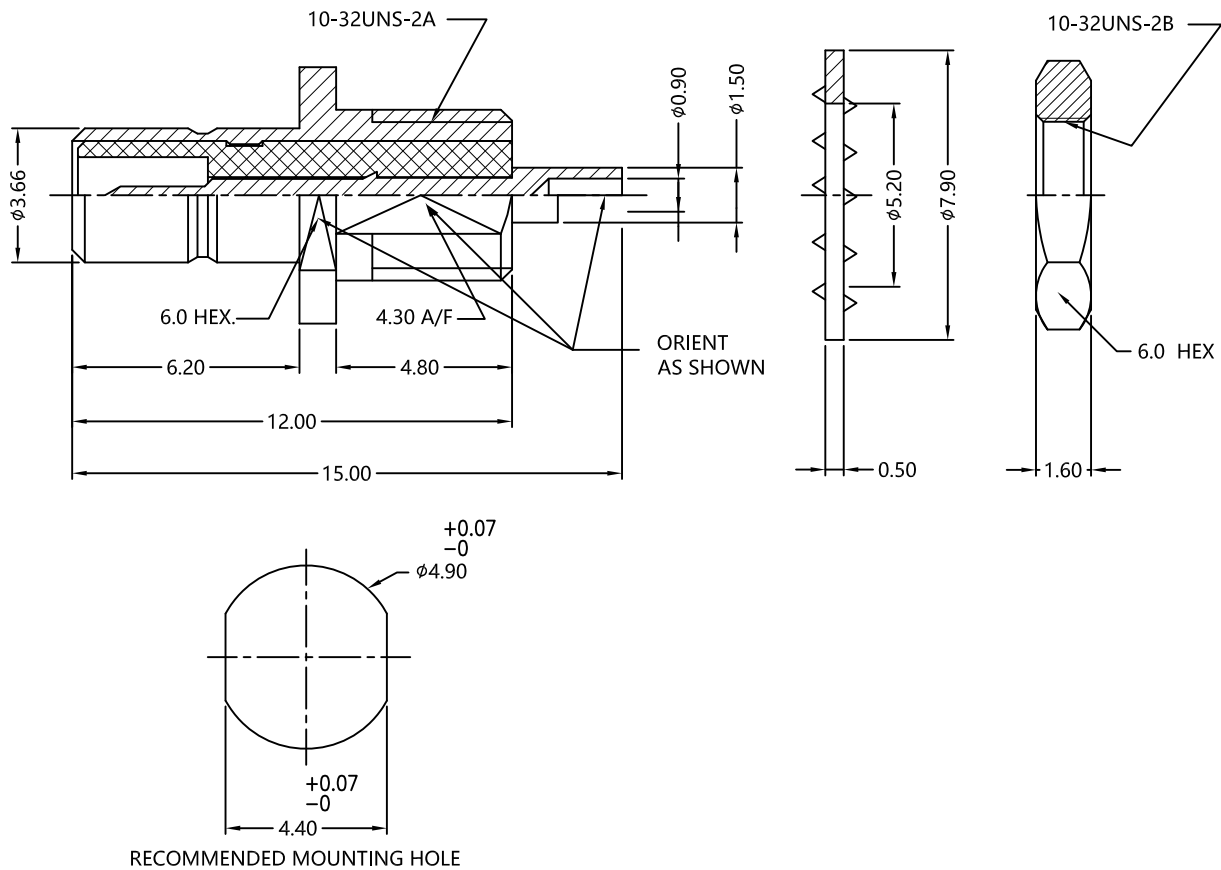


REV.	DESCRIPTION	ECN NO.	NAME	DATE	 ALL PARTS MUST MEET TO RoHS REQUIREMENTS
1	NEW FRAME	N/A	JING	2020-09-14	
2	UPDATE DRAWING	N/A	PY	2020-11-27	



MATERIALS AND PLATING		UNIT: MICRO-INCHES
PART NAME	MATERIALS	PLATING
BODY/NUT	BRASS	GOLD 1 u"/NICKEL/COPPER
INSULATOR	PTFE ASTM-D-1710	N/A
CONTACT PIN	BRASS	GOLD 3 u"/NICKEL/COPPER
WASHER	PHOSPHOR BRONZE	GOLD 1 u"/NICKEL/COPPER

ELECTRICAL CHARACTERISTICS	
IMPEDANCE	50 Ω
VOLTAGE RATING	250 V(rms)
FREQUENCY RANGE	0 ~ 4 GHz
DIELECTRIC WITHSTANDING VOLTAGE	>750 V
CONTACT RESISTANCE	CENTER CONTACT
	OUTER CONTACT
INSULATION RESISTANCE	>1000 MΩ
INSERTION LOSS	N/A
RF-LEAKAGE	N/A
VSWR	<1.30
3RD INTERMODULATION	N/A

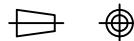
MECHANICAL CHARACTERISTICS	
FORCE TO ENGAGE AND DISENGAGE	N/A
CENTER CONTACT RETENTION FORCE	>4 lbs
RECOMMENDED COUPLING TORQUE	N/A
COUPLING NUT RETENTION FORCE	N/A
DURABILITY	>500 cycles

ENVIRONMENTAL PARAMETER	
TEMPERATURE RANGE	-65 °C ~ +165 °C

*** CUSTOMER OUTLINE DRAWING**

UNLESS OTHERWISE SPECIFIED:
 1) EDGES : C0.15 MAX ;
 2) REMOVE ALL BURRS ;
 3) SURFACE ROUGHNESS : Ra1.6 ;
 4) UNITS : mm ;
 5) DIMENSIONS TOLERANCES
 DECIMALS : .x ±0.3 .xx ±0.2 .xxx±0.1;
 ANGLES : ± 5°.

THIRD ANGLE PROJECTION



APPROVED :

CUSTOMER P/N :

CHECKED :

SCALE :

DRAWING :

DATE : 2020-11-27

PAGE : 1/1



TITLE : SMB BULKHEAD SOCKET FRONT MOUNT 50Ω

DRAWING NO. : 5MBF11S-A00-001

COMPANY WEBSITE : www.slkcorp.com

CUSTOMER OUTLINE DRAWING