
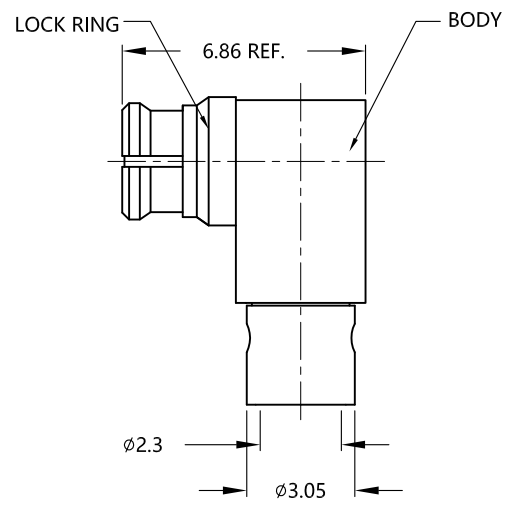
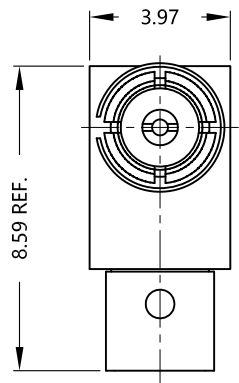
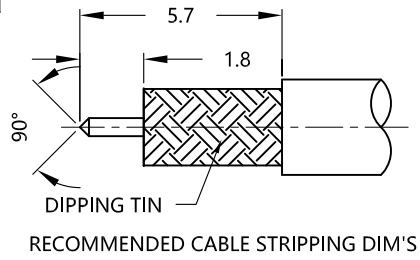


REV.	DESCRIPTION	ECN NO.	NAME	DATE	 ALL PARTS MUST MEET TO RoHS REQUIREMENTS
3	50u" GOLD CHANGE TO 15u"	N/A	cloud	2015-05-28	
4	NEW FRAME	N/A	JING	2020-08-21	

REMARKS:
 1. ADD SIZES :3.6mm
 2. CONTACT PIN TO CAPTIVE



MATERIALS AND PLATING		UNIT: MICRO-INCHES
PART NAME	MATERIALS	PLATING
BODY	BERYLLIUM COPPER	GOLD 5u"/NICKEL/COPPER
INSULATOR	PTFE ASTM-D-1710	N/A
CONTACT PIN	BERYLLIUM COPPER	GOLD 50u"/NICKEL/COPPER
LOCK RING	BERYLLIUM COPPER	GOLD 5u"/NICKEL/COPPER

ELECTRICAL CHARACTERISTICS	
IMPEDANCE	50 Ω
VOLTAGE RATING	335 V(rms)
FREQUENCY RANGE	0 ~ 15 GHz
DIELECTRIC WITHSTANDING VOLTAGE	>500 V
CONTACT RESISTANCE	CENTER CONTACT
	OUTER CONTACT
INSULATION RESISTANCE	>5000 MΩ
INSERTION LOSS	<0.10 x F(GHz) dB
RF-LEAKAGE	N/A
VSWR	<1.4
3RD INTERMODULATION	N/A

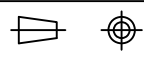
MECHANICAL CHARACTERISTICS		
FORCE TO ENGAGE AND DISENGAGE	Full detent	<15 lbs (Force to engage) >5 lbs (Force to disengage)
	Limited detent	<10 lbs (Force to engage) >2 lbs (Force to disengage)
	Smooth bore	<2 lbs (Force to engage) >0.5 lbs (Force to disengage)
CENTER CONTACT RETENTION FORCE	>1.5 lbs	
DURABILITY	>500 cycles	

ENVIRONMENTAL PARAMETER	
TEMPERATURE RANGE	-55°C ~ +125°C

CUSTOMER OUTLINE DRAWING

*** CUSTOMER OUTLINE DRAWING**

UNLESS OTHERWISE SPECIFIED:
 1) EDGES : C0.15 MAX ;
 2) REMOVE ALL BURRS ;
 3) SURFACE ROUGHNESS : Ra1.6 ;
 4) UNITS : mm ;
 5) DIMENSIONS TOLERANCES
 DECIMALS : .x ±0.3 .xx ±0.2 .xxx±0.1;
 ANGLES : ± 5°.

THIRD ANGLE PROJECTION		
APPROVED :	CUSTOMER P/N :	
CHECKED :	SCALE :	
DRAWING :	DATE :	
JING		PAGE : 1/1



TITLE :	SMP FEMALE R/A FOR TFLEX-405 CABLE, 50Ω
DRAWING NO. :	5SPF15R-A82
COMPANY WEBSITE :	www.slkcorp.com