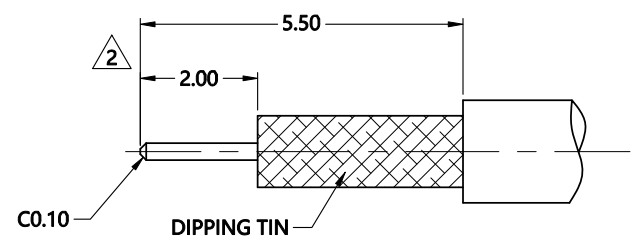


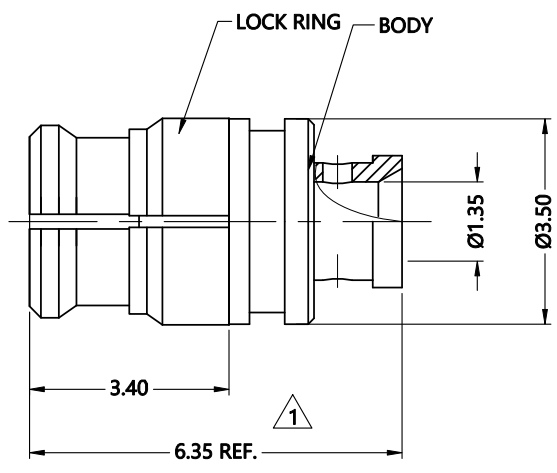
REV.	DESCRIPTION	ECN NO.	NAME	DATE
0	FIRST EDITION	N/A	HRWEI	2020-12-22
1	UPDATE THE DRAWING	N/A	HRWEI	2020-12-23
2	UPDATE THE VSWR AND CABLE STRIPPING DIM'S	N/A	HRWEI	2021-05-10



ALL PARTS MUST MEET TO RoHS REQUIREMENTS



RECOMMENDED CABLE STRIPPING DIM'S



MATERIALS AND PLATING		UNIT: MICRO-INCHES
PART NAME	MATERIALS	PLATING
BODY	Be-Cu	PL.GOLD 50 u"/NICKEL/COPPER
INSULATOR	PTFE MIL-P-19468	N/A
CONTACT PIN	Be-Cu	PL.GOLD 50 u"/COPPER
LOCK RING	Be-Cu	PL.GOLD 50 u"/NICKEL/COPPER

ELECTRICAL CHARACTERISTICS	
IMPEDANCE	50 Ω
VOLTAGE RATING	170 V(rms)
FREQUENCY RANGE	DC ~ 40 GHz
DIELECTRIC WITHSTANDING VOLTAGE	>500 V
CONTACT RESISTANCE	CENTER CONTACT
	OUTER CONTACT
INSULATION RESISTANCE	>5000 MΩ
INSERTION LOSS	<0.1*√f(GHz) dB
VSWR	<1.35 $\triangle 2$
3RD INTERMODULATION	N/A

MECHANICAL CHARACTERISTICS	
FORCE TO ENGAGE AND DISENGAGE (Full detent)	<15 lbs (Force to engage)
	>5 lbs (Force to disengage)
FORCE TO ENGAGE AND DISENGAGE (Limited detent)	<10 lbs (Force to engage)
	>2 lbs (Force to disengage)
FORCE TO ENGAGE AND DISENGAGE (Smooth bore)	<2 lbs (Force to engage)
	>0.5 lbs (Force to disengage)
DURABILITY	>500 cycles

ENVIRONMENTAL PARAMETER	
TEMPERATURE RANGE	-40 °C~+125 °C

CUSTOMER OUTLINE DRAWING

* CUSTOMER OUTLINE DRAWING

UNLESS OTHERWISE SPECIFIED:
 1) EDGES : C0.15 MAX ;
 2) REMOVE ALL BURRS ;
 3) SURFACE ROUGHNESS : Ra1.6 ;
 4) UNITS : mm ;
 5) DIMENSIONS TOLERANCES
 DECIMALS : .x ±0.3 .xx ±0.2 .xxx±0.1;
 ANGLES : ± 5°.

THIRD ANGLE PROJECTION	
APPROVED :	CUSTOMER P/N :
CHECKED :	SCALE : 1 : 1
DRAWING :	DATE : 2021-05-10
PAGE : 1/1	

TITLE : SMP FEMALE S/T SOLDER FOR PT-047 CABLE,50Ω
 DRAWING NO. : 5SPF15S-A420-002
 COMPANY WEBSITE : www.slkcorp.com