

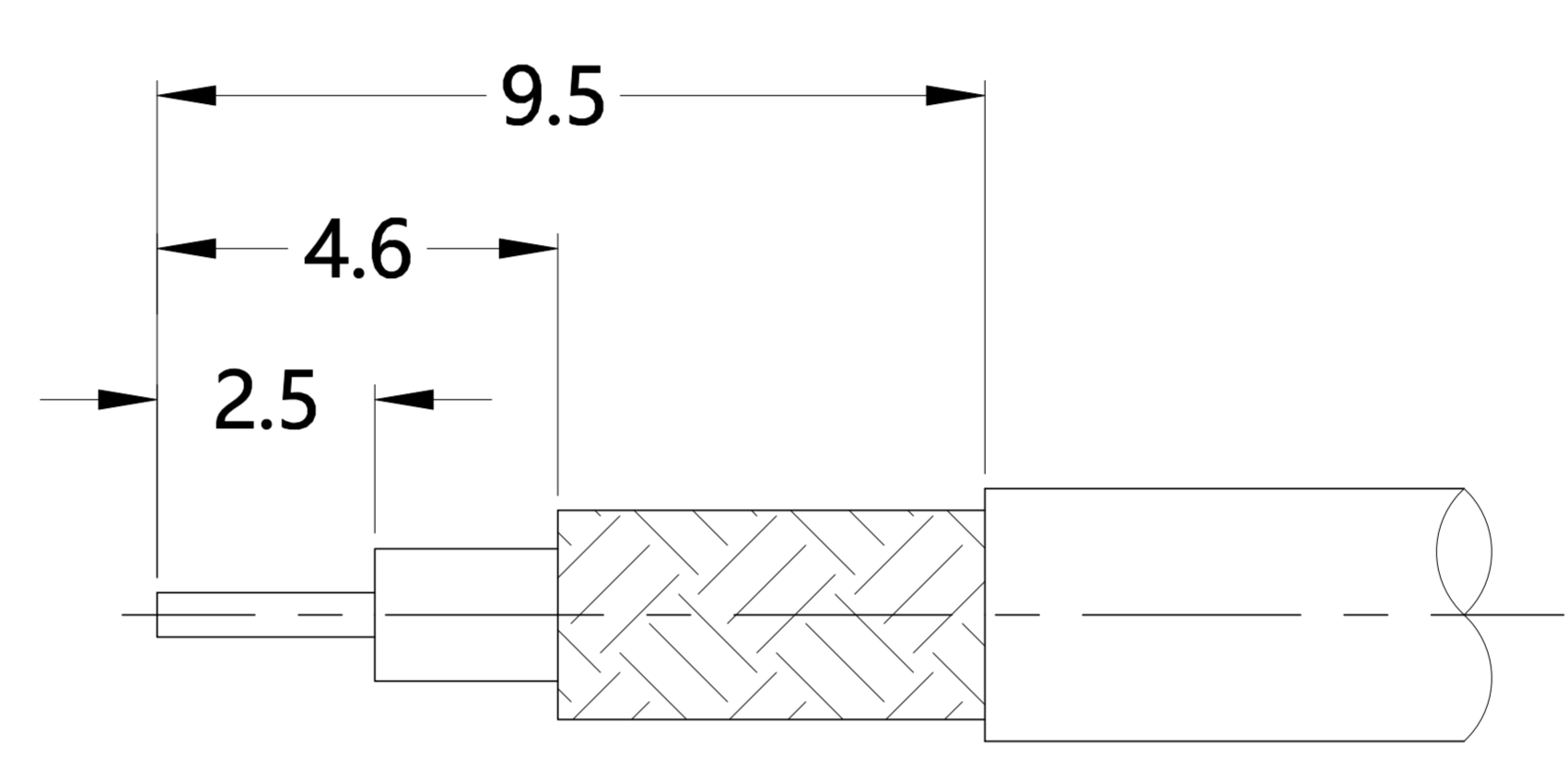
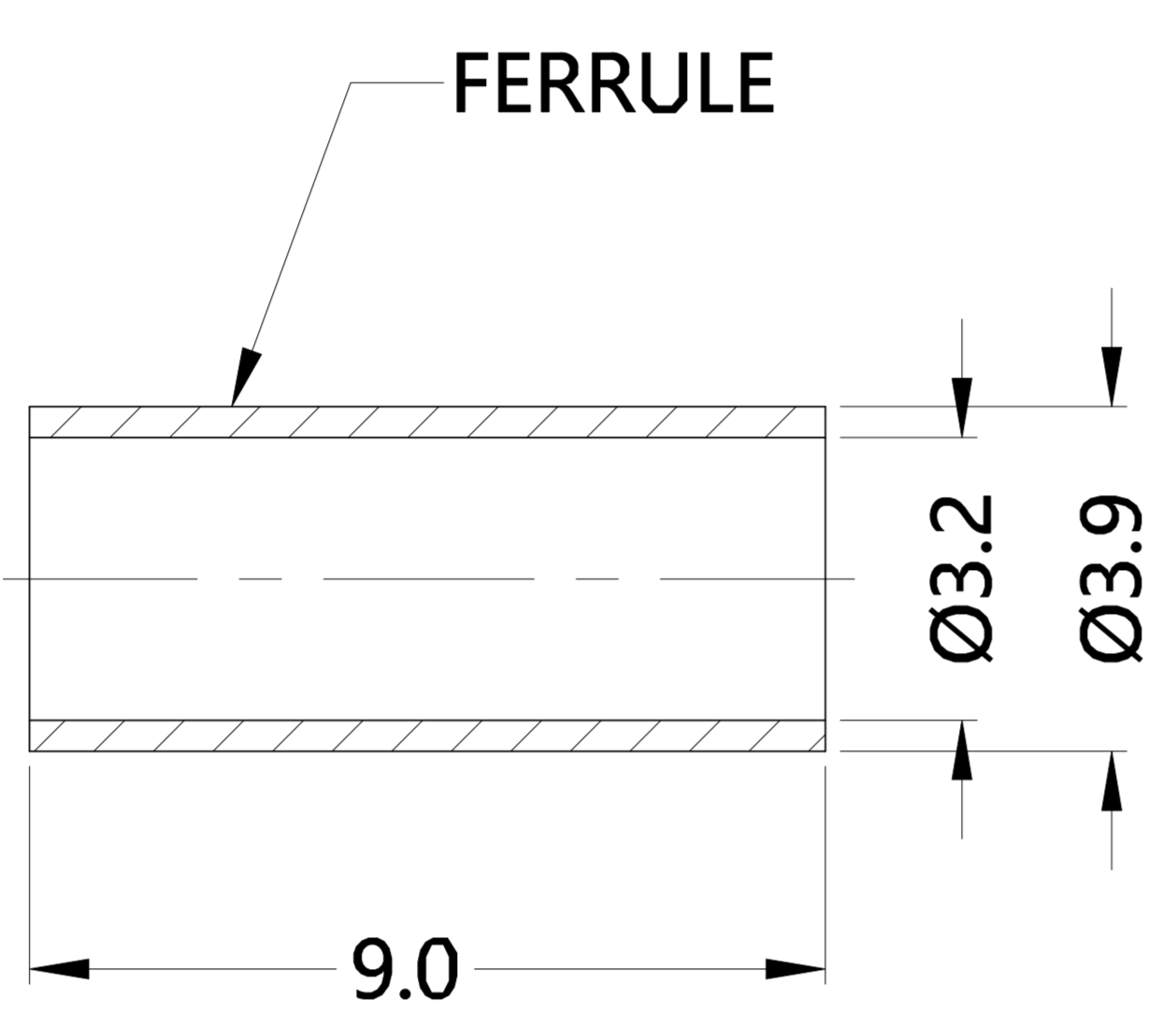
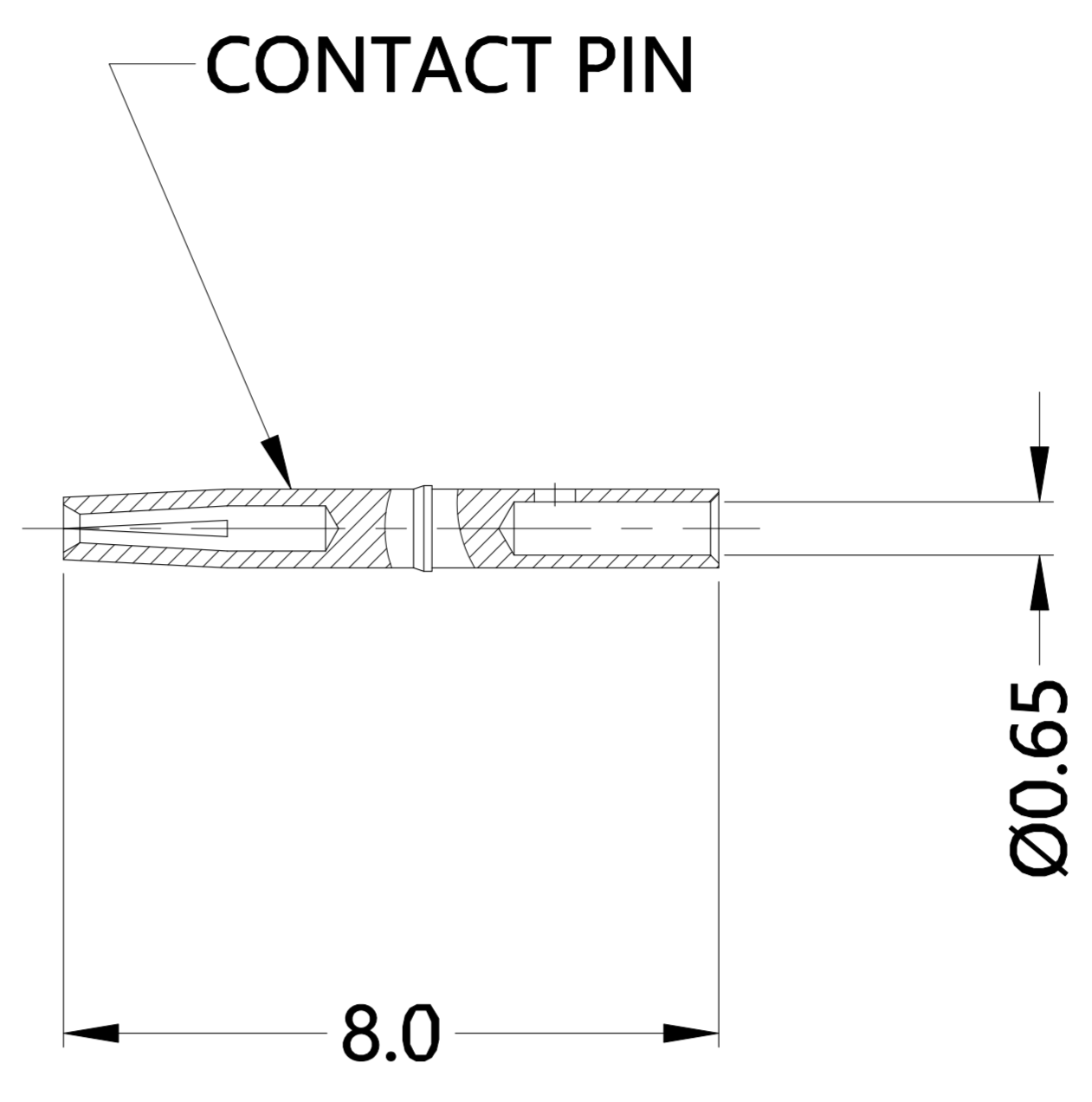
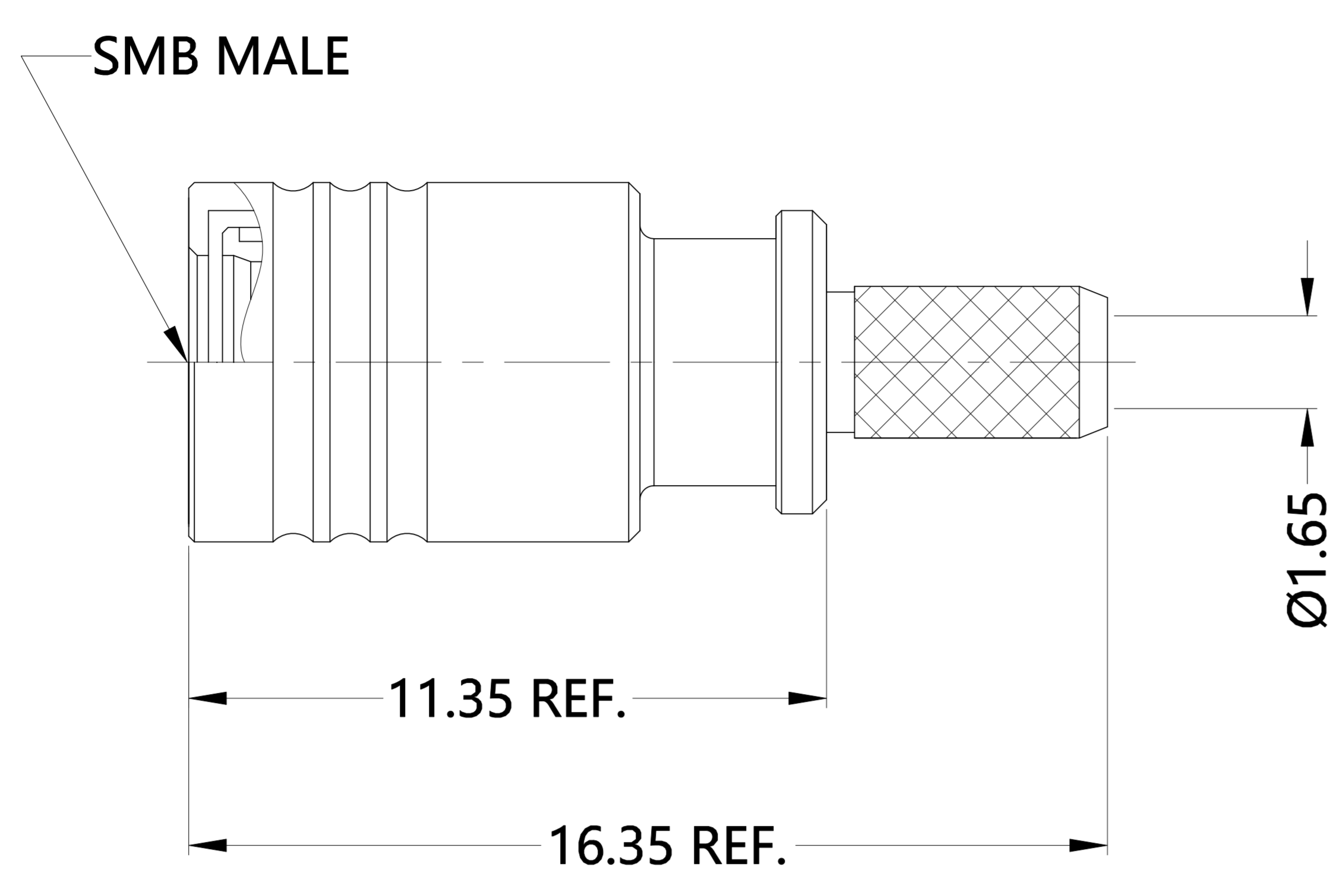
REV.	DESCRIPTION	ECN NO.	NAME	DATE
0	FIRST EDITION	N/A	DONG	2010-08-31
1	UPDATE FRAME	N/A	JASON	2021-07-29



ALL PARTS MUST MEET TO RoHS REQUIREMENTS

NON-MAGNETIC

REMARKS:
1.CRIMP FERRULE FOR .130" HEX.
2.CONTACT PIN TO SOLDER



RECOMMENDED CABLE STRIPPING DIM'S

MATERIALS AND PLATING		UNIT: MICRO-INCHES
PART NAME	MATERIALS	PLATING
BODY/SHELL	NON-MAGNETIC BRASS	ALBALOY PL./COPPER
CONTACT PIN	Be-Cu C17300	GOLD PL./COPPER
INSULATOR	PTFE ASTM-D-1710	N/A
FERRULE	NON-MAGNETIC COPPER	ALBALOY PL./COPPER

ELECTRICAL CHARACTERISTICS	
IMPEDANCE	50 Ω
VOLTAGE RATING	335 V(rms)
FREQUENCY RANGE	DC ~ 4 GHz
DIELECTRIC WITHSTANDING VOLTAGE	>500 V
CONTACT RESISTANCE	CENTER CONTACT <6.0 mΩ
	OUTER CONTACT <1.0 mΩ
INSULATION RESISTANCE	>1000 MΩ
INSERTION LOSS	ACCORDING TO THE CABLE
VSWR	<1.50

MECHANICAL CHARACTERISTICS	
CENTER CONTACT RETENTION FORCE	N/A
CABLE RETENTION FORCE	> 15 lbs
DURABILITY	> 500 cycles

ENVIRONMENTAL PARAMETER	
TEMPERATURE RANGE	-55 °C ~ +155 °C

*** CUSTOMER OUTLINE DRAWING**

UNLESS OTHERWISE SPECIFIED:
1) EDGES : C0.15 MAX ;
2) REMOVE ALL BURRS ;
3) SURFACE ROUGHNESS : Ra1.6 ;
4) UNITS : mm ;
5) DIMENSIONS TOLERANCES
DECIMALS : .x ±0.3 .xx ±0.2 .xxx±0.1 ;
ANGLES : ± 5°.

THIRD ANGLE PROJECTION	
APPROVED :	CUSTOMER P/N :
CHECKED :	SCALE :
DRAWING : JASON	DATE : 2021-07-29
	PAGE : 1/1

TITLE : NON-MAGNETIC SMB MALE S/T CRIMP FOR RG316 CABLE, 50Ω
DRAWING NO. : NM-5MBM11S-A02
COMPANY WEBSITE : www.slkcorp.com

CUSTOMER OUTLINE DRAWING