
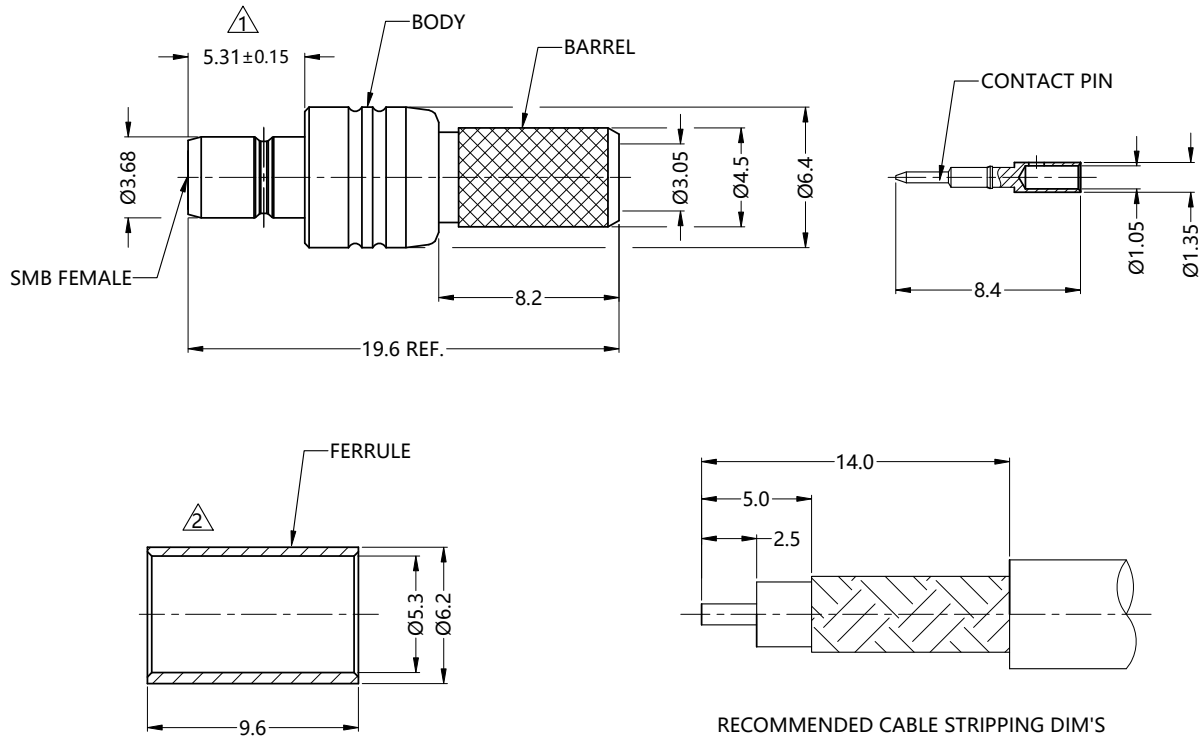


REV.	DESCRIPTION	ECN NO.	NAME	DATE	 ALL PARTS MUST MEET TO RoHS REQUIREMENTS
0	FIRST EDITION	N/A	JASON	2021-09-03	
1	ADD DIMENSIONS	N/A	JASON	2021-10-28	
2	UPDATE FERRULE DIMENSIONS	N/A	PY	2021-11-18	

REMARKS :
 1. CONTACT PIN TO SOLDER.
 2. CRIMP FERRULE FOR .213" HEX.



MATERIALS AND PLATING		UNIT: MICRO-INCHES
PART NAME	MATERIALS	PLATING
BODY	BRASS C3602	GOLD PL./NICKEL/COPPER
INSULATOR	PTFE ASTM-D-1710	N/A
CONTACT PIN	BRASS C3604	GOLD PL./NICKEL/COPPER
BARREL	BRASS C3604	GOLD PL./NICKEL/COPPER
FERRULE	BRASS	GOLD PL./NICKEL/COPPER

ELECTRICAL CHARACTERISTICS	
IMPEDANCE	50 Ω
VOLTAGE RATING	335 V(rms)
FREQUENCY RANGE	DC ~ 4 GHz
DIELECTRIC WITHSTANDING VOLTAGE	>2500 V (DC)
CONTACT RESISTANCE	CENTER CONTACT <6.0 mΩ
	OUTER CONTACT <1.0 mΩ
INSULATION RESISTANCE	>1000 MΩ
INSERTION LOSS	<0.25 dB
VSWR	<1.40
3RD INTERMODULATION	N/A

MECHANICAL CHARACTERISTICS	
FORCE TO ENGAGE	< 14 lbs
FORCE TO DISENGAGE	2~14 lbs
CENTER CONTACT RETENTION FORCE	> 4 lbs
DURABILITY	> 500 cycles

ENVIRONMENTAL PARAMETER	
TEMPERATURE RANGE	-40 °C~+125 °C

* CUSTOMER OUTLINE DRAWING

UNLESS OTHERWISE SPECIFIED:
 1) EDGES : C0.15 MAX ;
 2) REMOVE ALL BURRS ;
 3) SURFACE ROUGHNESS : Ra1.6 ;
 4) UNITS : mm ;
 5) DIMENSIONS TOLERANCES
 DECIMALS : .x ±0.3 .xx ±0.2 .xxx±0.1;
 ANGLES : ± 5°.

THIRD ANGLE PROJECTION	
APPROVED :	CUSTOMER P/N :
CHECKED :	SCALE : 1:1
DRAWING :	DATE : 2021-11-18
	PAGE : 1/1



TITLE : SMB FEMALE S/T FOR RG58 CABLE, 50Ω
 DRAWING NO. : 5MBF11S-A41-001
 COMPANY WEBSITE : www.slkcorp.com

CUSTOMER OUTLINE DRAWING