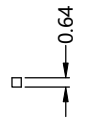
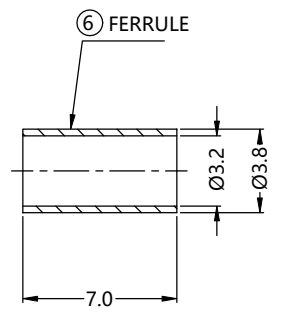
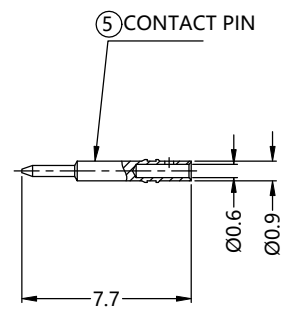
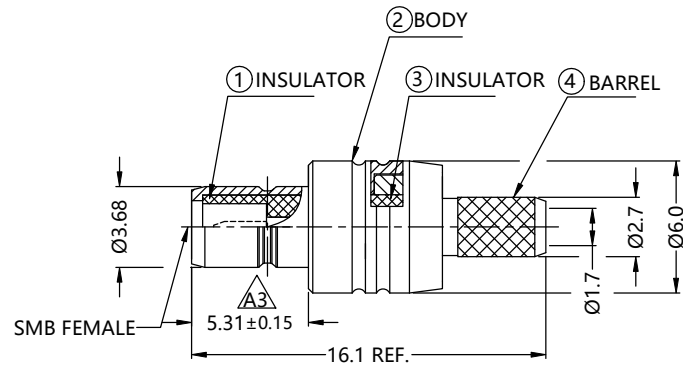


REV.	DESCRIPTION	ECN NO.	NAME	DATE
A2	NEW FRAME	N/A	LEICHAO	2020-06-29
A3	ADD DIMENSIONS	N/A	JASON	2021-10-28
A4	UPDATE BLUEPRINT	N/A	LZC	2022-01-07

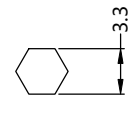
REMARKS:  
 1. CONTACT PIN TO CRIMP.  
 2. CRIMP FERRULE FOR .128" HEX.



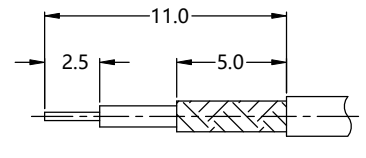
ALL PARTS MUST MEET TO RoHS REQUIREMENTS



RECOMMENDED CENTRE CONTACT



RECOMMENDED CRIMP SLEEVE A/F HEX



RECOMMENDED CABLE STRIPPING DIM'S

MATERIALS AND PLATING		UNIT: MICRO-INCHES
PART NAME	MATERIALS	PLATING
BODY ②	BRASS C3602	GOLD 3 u"MIN./NICKEL/COPPER
INSULATOR ①③	PTFE ASTM-D-1710	N/A
CONTACT PIN ⑤	BRASS C3604	GOLD 5 u"MIN./NICKEL/COPPER
BARREL ④	BRASS C3604	GOLD 3 u"MIN./NICKEL/COPPER
FERRULE ⑥	BRASS C3602	GOLD 3 u"MIN./NICKEL/COPPER



ELECTRICAL CHARACTERISTICS	
IMPEDANCE	50 Ω
VOLTAGE RATING	250 V(rms)
FREQUENCY RANGE	DC ~ 3 GHz
DIELECTRIC WITHSTANDING VOLTAGE	>2000 V (DC)
CONTACT RESISTANCE	CENTER CONTACT <6.0 mΩ
	OUTER CONTACT <1.0 mΩ
INSULATION RESISTANCE	>1000 MΩ
INSERTION LOSS	ACCORDING TO THE CABLE
VSWR	<1.35
3RD INTERMODULATION	N/A

MECHANICAL CHARACTERISTICS	
FORCE TO ENGAGE	< 14 lbs
FORCE TO DISENGAGE	2~14 lbs
CENTER CONTACT RETENTION FORCE	> 4 lbs
DURABILITY	> 500 cycles

ENVIRONMENTAL PARAMETER	
TEMPERATURE RANGE	-65 °C~+165 °C
THERMAL SHOCK	MIL- STD-202, Meth. 107, Cond B
VIBRATION	MIL- STD-202, Meth. 204, Cond B
SHOCK	MIL- STD-202, Meth. 213, Cond I

\* CUSTOMER OUTLINE DRAWING

UNLESS OTHERWISE SPECIFIED:  
 1) EDGES : C0.15 MAX ;  
 2) REMOVE ALL BURRS ;  
 3) SURFACE ROUGHNESS : Ra1.6 ;  
 4) UNITS : mm ;  
 5) DIMENSIONS TOLERANCES  
 DECIMALS : .x ±0.3 .xx ±0.2 .xxx±0.1;  
 ANGLES : ± 5°.

THIRD ANGLE PROJECTION	
APPROVED :	CUSTOMER P/N :
CHECKED :	SCALE : 1:1
DRAWING : LZC	DATE : 2022-01-07
	PAGE : 1/1



TITLE : SMB FEMALE S/T CRIMP FOR RG316/RG174 CABLE, 50Ω  
 DRAWING NO. : 5MBF11S-A02-017  
 COMPANY WEBSITE : www.slkcorp.com

CUSTOMER OUTLINE DRAWING