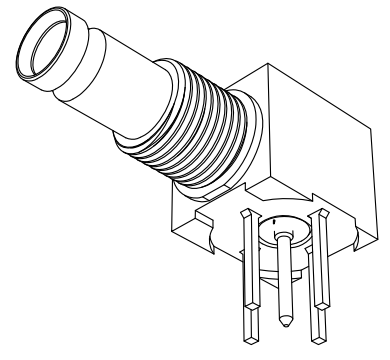
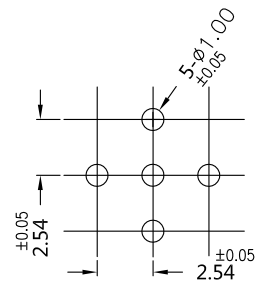
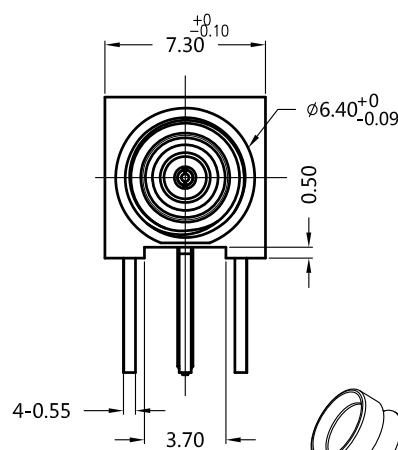
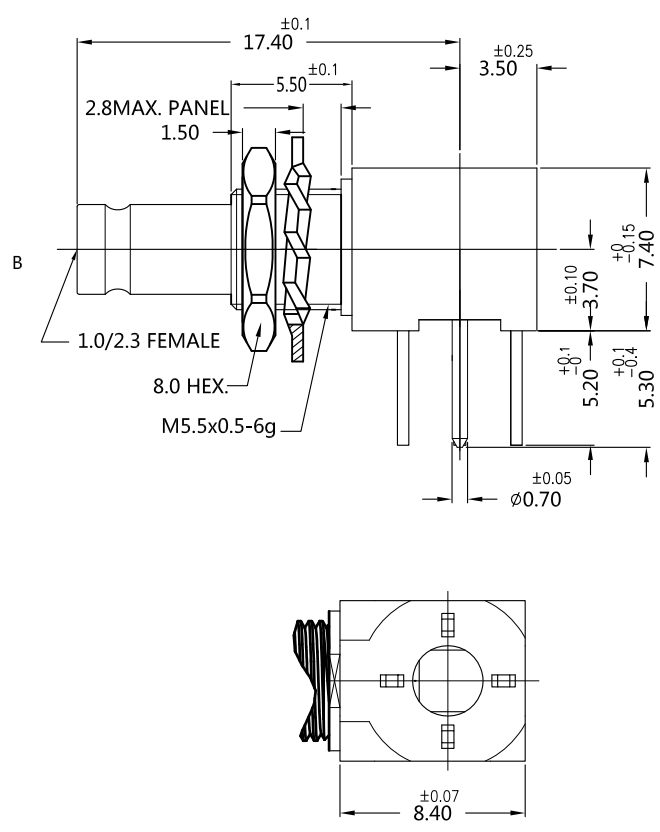


REV.	DESCRIPTION	ECN NO.	NAME	DATE
5	UPDATE DRAWING	N/A	YJY	2019-11-05
6	NEW FRAME	N/A	JING	2020-05-14



ALL PARTS MUST MEET TO RoHS REQUIREMENTS



3D VIEW

MATERIALS AND PLATING		UNIT: MICRO-INCHES
PART NAME	MATERIALS	PLATING
BODY	BRASS C3604	TIN 100U" MIN/COPPER
INSULATOR	PTFE ASTM-D-1710	N/A
CONTACT PIN	BERYLIUM COPPER	GOLD5u"MIN/NICKEL/COPPER
OUTER CON	BRASS C3604	GOLD1u"MIN/NICKEL/COPPER

ELECTRICAL CHARACTERISTICS	
IMPEDANCE	50 Ω
VOLTAGE RATING	250 V(rms)
FREQUENCY RANGE	0 ~ 6 GHz
DIELECTRIC WITHSTANDING VOLTAGE	>750V
CONTACT RESISTANCE	CENTER CONTACT
	OUTER CONTACT
INSULATION RESISTANCE	>1000 MΩ
INSERTION LOSS	N/A
RF-LERKAGE	N/A
VSWR	<1.5
3RD INTERMODULATION	N/A

MECHANICAL CHARACTERISTICS	
FORCE TO ENGAGE AND DISENGAGE	N/A
CENTER CONTACT RETENTION FORCE	>2.25 lbs
RECOMMENDED COUPLING TORQUE	>10 N ·cm
COUPLING NUT RETENTION FORCE	N/A
DURABILITY	>500 cycles

ENVIRONMENTAL PARAMETER	
TEMPERATURE RANGE	-45 °C ~ +85 °C
SALT SPRAY	48H

CUSTOMER OUTLINE DRAWING

* CUSTOMER OUTLINE DRAWING

UNLESS OTHERWISE SPECIFIED:
 1) EDGES : C0.15 MAX ;
 2) REMOVE ALL BURRS ;
 3) SURFACE ROUGHNESS : Ra1.6 ;
 4) UNITS : mm ;
 5) DIMENSIONS TOLERANCES
 DECIMALS : .x ±0.2 .xx ±0.1 .xxx±0.05;
 ANGLES : ± 5°.

THIRD ANGLE PROJECTION	
APPROVED :	CUSTOMER P/N :
CHECKED :	SCALE :
DRAWING :	DATE :
JING	2019-11-05
PAGE : 1/1	

TITLE : 1.0/2.3 FEMALE 50OHMS FOR PCB MOUNTING
 DRAWING NO. : 5A1F25R-P41-007
 COMPANY WEBSITE : www.slkcorp.com