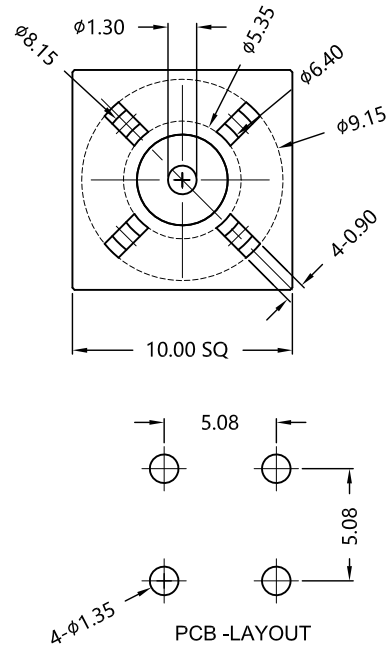
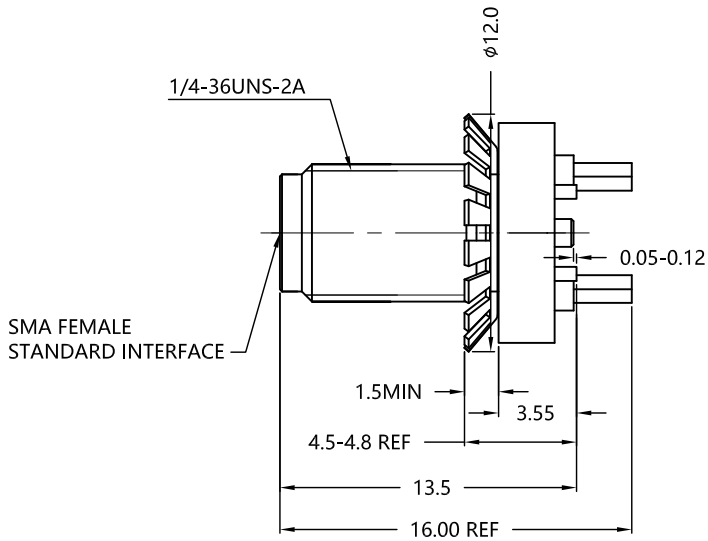


REV.	DESCRIPTION	ECN NO.	NAME	DATE
A	UPDATE THE DRAWING	N/A	YY	2016-11-14
B	UPDATE THE DRAWING	ECN1701004	ZS	2017-01-05
C	UPDATE THE DRAWING	ECN1702011	ZS	2017-05-10
D0	UPDATE THE DRAWING	ECN1706007	ZS	2017-06-06
D1	UPDATE THE DRAWING FRAME	N/A	PY	2020-06-20



ALL PARTS MUST MEET TO RoHS REQUIREMENTS



MATERIALS AND PLATING		UNIT: MICRO-INCHES
PART NAME	MATERIALS	PLATING
BODY	BRASS C3604	GOLD 3μ " / NICKEL/COPPER
INSULATOR	PTFE ASTM-D-1710	N/A
CONTACT PIN	BERYLLIUM COPPER	GOLD 10μ " / NICKEL/COPPER
WASHER	STAINLESS STEEL	PASSIVATE

ELECTRICAL CHARACTERISTICS	
IMPEDANCE	50 Ω
VOLTAGE RATING	335 V(rms)
FREQUENCY RANGE	0 ~ 6 GHz
DIELECTRIC WITHSTANDING VOLTAGE	>500 V
CONTACT RESISTANCE	CENTER CONTACT
	OUTER CONTACT
INSULATION RESISTANCE	>5000 MΩ
INSERTION LOSS	N/A
VSWR	<1.15 @ DC~6 GHz
3RD INTERMODULATION	N/A

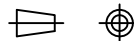
MECHANICAL CHARACTERISTICS	
FORCE TO ENGAGE AND DISENGAGE	N/A
CENTER CONTACT RETENTION FORCE	>6 lbs
RECOMMENDED COUPLING TORQUE	N/A
COUPLING NUT RETENTION FORCE	N/A
DURABILITY	>500cycles

ENVIRONMENTAL PARAMETER	
TEMPERATURE RANGE	-55 °C~+125 °C

* CUSTOMER OUTLINE DRAWING

UNLESS OTHERWISE SPECIFIED:
 1) EDGES : C0.15 MAX ;
 2) REMOVE ALL BURRS ;
 3) SURFACE ROUGHNESS : Ra1.6 ;
 4) UNITS : mm ;
 5) DIMENSIONS TOLERANCES
 DECIMALS : .x ±0.3 .xx ±0.2 .xxx±0.1;
 ANGLES : ± 5°.

THIRD ANGLE PROJECTION



APPROVED :

CUSTOMER P/N :

CHECKED :

SCALE :

1 : 1

DRAWING :

DATE : 2020-06-20

PAGE : 1/1



TITLE : SMA FEMALE S/T FOR PCB SMT,50Ω

DRAWING NO. : 5MAF25S-P01-015

COMPANY WEBSITE : www.slkcorp.com

CUSTOMER OUTLINE DRAWING