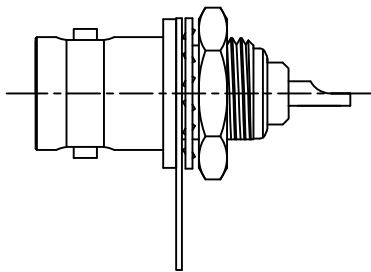
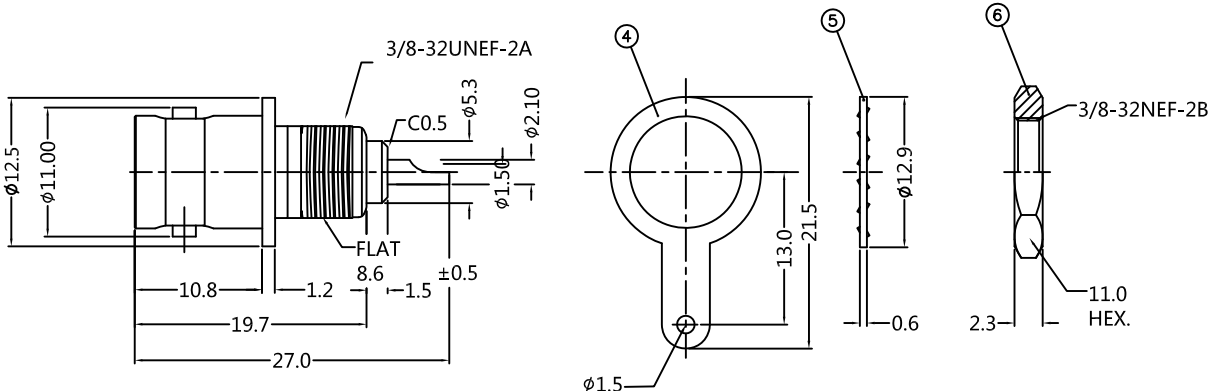


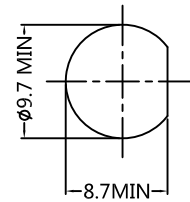
| | | | | | | | |
|------|-------------|---------|------|----------|--|--|--|
| REV. | DESCRIPTION | ECN NO. | NAME | DATE | | | |
| 5 | NEW FRAME | N/A | LDH | 2020-6-3 | | | |



ALL PARTS MUST MEET TO RoHS REQUIREMENTS



ASSEMBLY DIAGRAM



RECOMMENDED MOUNTING HOLE

| MATERIALS AND PLATING UNIT: MICRO-INCHES | | |
|--|--------------------|----------------------|
| PART NAME | MATERIALS | PLATING |
| BODY | BRASS | SIL VER 40u" /COPPER |
| INSULATOR | TEFLON MIL-P-19468 | N/A |
| CONTACT PIN | PHOSPHOR BRONZE | SILVER 40u" /COPPER |
| WASHER | BRASS | SILVER 40u" /COPPER |
| WASHER | STEEL | SILVER 40u" /COPPER |
| NUT | BRASS | SILVER 40u" /COPPER |

| ELECTRICAL CHARACTERISTICS | | |
|---------------------------------|----------------|-----------------|
| IMPEDANCE | | 50 Ω |
| VOLTAGE RATING | | 500 V(rms) |
| FREQUENCY RANGE | | 0 ~ 3 GHz |
| DIELECTRIC WITHSTANDING VOLTAGE | | 1500 V |
| CONTACT RESISTANCE | CENTER CONTACT | <1.5 m Ω |
| | OUTER CONTACT | <0.2 m Ω |
| INSULATION RESISTANCE | | 5000M Ω |
| INSERTION LOSS | | N/A |
| RF-LEAKAGE | | N/A |
| VSWR | | <1.35 @0- 3 GHz |
| 3RD INTERMODULATION | | N/A |

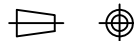
| MECHANICAL CHARACTERISTICS | | |
|---------------------------------|--|------------|
| CENTER CONTACT RETENTION TORQUE | | >6LBS |
| CENTER CONTACT RETENTION FORCE | | N/A |
| INSULATOR RETENTION FORCE | | N/A |
| COUPLING NUT RETENTION FORCE | | N/A |
| DURABILITY | | >500cycles |
| MOUNT NUT RECOMMENDED TORQUE | | 2.5N |

| ENVIRONMENTAL PARAMETER | |
|-------------------------|------------------------------------|
| TEMPERATURE RANGE | -65 °C~+165 °C |
| THERMAL SHOCK | US MIL- STD 202, Meth. 107,Cond. B |
| VIBRATION | US MIL- STD 202, Meth. 204,Cond. B |
| SHOCK | US MIL- STD 202, Meth. 213,Cond. I |
| CLIMATIC CLASS | IEC 60068 65/165/21 |

* CUSTOMER OUTLINE DRAWING

UNLESS OTHERWISE SPECIFIED:
 1) EDGES : C0.15 MAX ;
 2) REMOVE ALL BURRS ;
 3) SURFACE ROUGHNESS : Ra1.6 ;
 4) UNITS : mm ;
 5) DIMENSIONS TOLERANCES
 DECIMALS : .x ± 0.3 .xx ± 0.2 .xxx ± 0.1 ;
 ANGLES : $\pm 5^\circ$.

THIRD ANGLE PROJECTION



| | |
|------------|----------------|
| APPROVED : | CUSTOMER P/N : |
| CHECKED : | SCALE : |
| DRAWING : | DATE : |
| | PAGE : 1/1 |

| | |
|----------------|----------|
| CUSTOMER P/N : | - |
| SCALE : | 3 : 2 |
| DATE : | 2020-6-3 |



| | |
|-------------------|------------------------|
| TITLE : | BNC 50 OHMS FOR FLANGE |
| DRAWING NO. : | 5BNF11S-A00 |
| COMPANY WEBSITE : | www.slkcorp.com |

CUSTOMER OUTLINE DRAWING