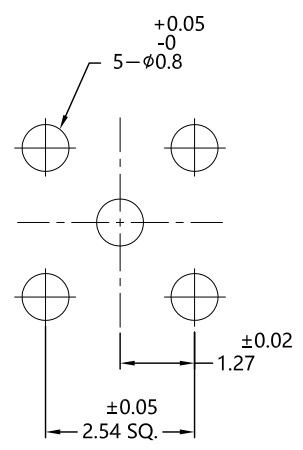
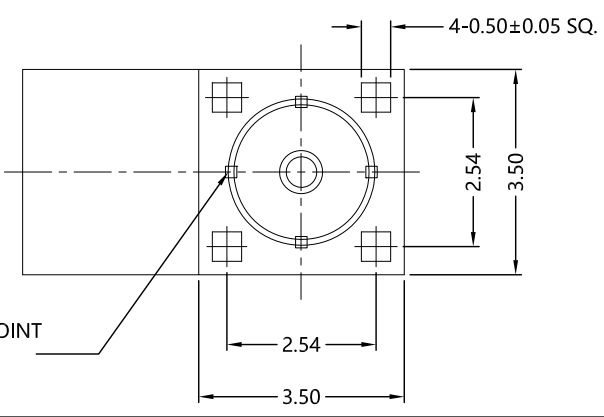
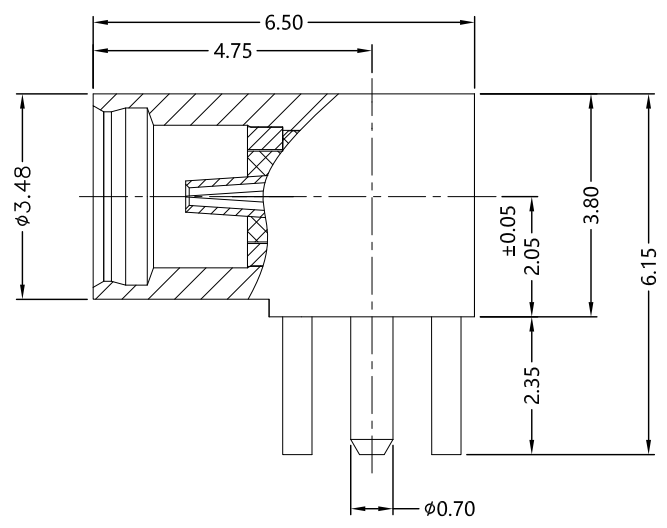


REV	DESCRIPTION	ECN NO	NAME	DATE
3	UPDATE DRAWING	N/A	PY	2020-05-14
4	NEW FRAME	N/A	Liu	2020-09-15



ALL PARTS MUST MEET TO RoHS REQUIREMENTS



RECOMMENDED MOUNTING LAYOUT

MATERIALS AND PLATING		UNIT: MICRO-INCHES
BODY	BRASS C3604	GOLD 30 u" /NICKEL/COPPER
CONTACT PIN	Be-Cu C17300	GOLD 30 u" /NICKEL/COPPER
INSULATOR	PTFE ASTM-D-1710	N/A

ELECTRICAL CHARACTERISTICS		
IMPEDANCE	50 Ω	
VOLTAGE RATING	175 V(rms)	
FREQUENCY RANGE	0~6 GHz	
DIELECTRIC WITHSTANDING VOLTAGE	>500 V	
CONTACT RESISTANCE	CENTER CONTACT	<5.0 mΩ
	OUTER CONTACT	<2.5 mΩ
INSULATION RESISTANCE	>500 MΩ	
INSERTION LOSS	N/A	
VSWR	<1.35	
3RD INTERMODULATION	N/A	

MECHANICAL CHARACTERISTICS	
FORCE TO ENGAGE AND DISENGAGE	N/A
CENTER CONTACT RETENTION FORCE	N/A
RECOMMENDED COUPLING TORQUE	N/A
COUPLING NUT RETENTION FORCE	N/A
DURABILITY	>500 cycles

ENVIRONMENTAL CHARACTERISTICS	
TEMPERATURE RANGE	-40 °C~+165 °C
CORROSION	MIL- STD 202, Meth. 101,Cond. B
VIBRATION	MIL- STD 202, Meth. 204,Cond. A
THERMAL SHOCK	MIL- STD 202, Meth. 107,Cond. B
MOISTURE RESISTANCE	MIL- STD 202, Meth. 106

* CUSTOMER OUTLINE DRAWING

UNLESS OTHERWISE SPECIFIED:
 1) C0.15 MAX;
 2) REMOVE ALL BURRS;
 3) SURFACE ROUGHNESS : Ra1.6;
 4) UNITS:mm;
 5) DIMENSIONS TOLERANCES
 DECIMALS .x ±0.3 .xx ±0.2 .xxx±0.1
 ANGLES ±5°

THIRD ANGLE PROJECTION	
APPROVED:	CUSTOMER P/N:
CHECKED:	SCALE:
DRAWING:	DATE: 2020-09-15
COMPANY WEBSITE: www.slkcorp.com	

TITLE: MMCX FEMALE R/A FOR PCB THROUGH HOLE,50Ω
 DRAWING NO: 5MCF25R-P41-012

CUSTOMER OUTLINE DRAWING