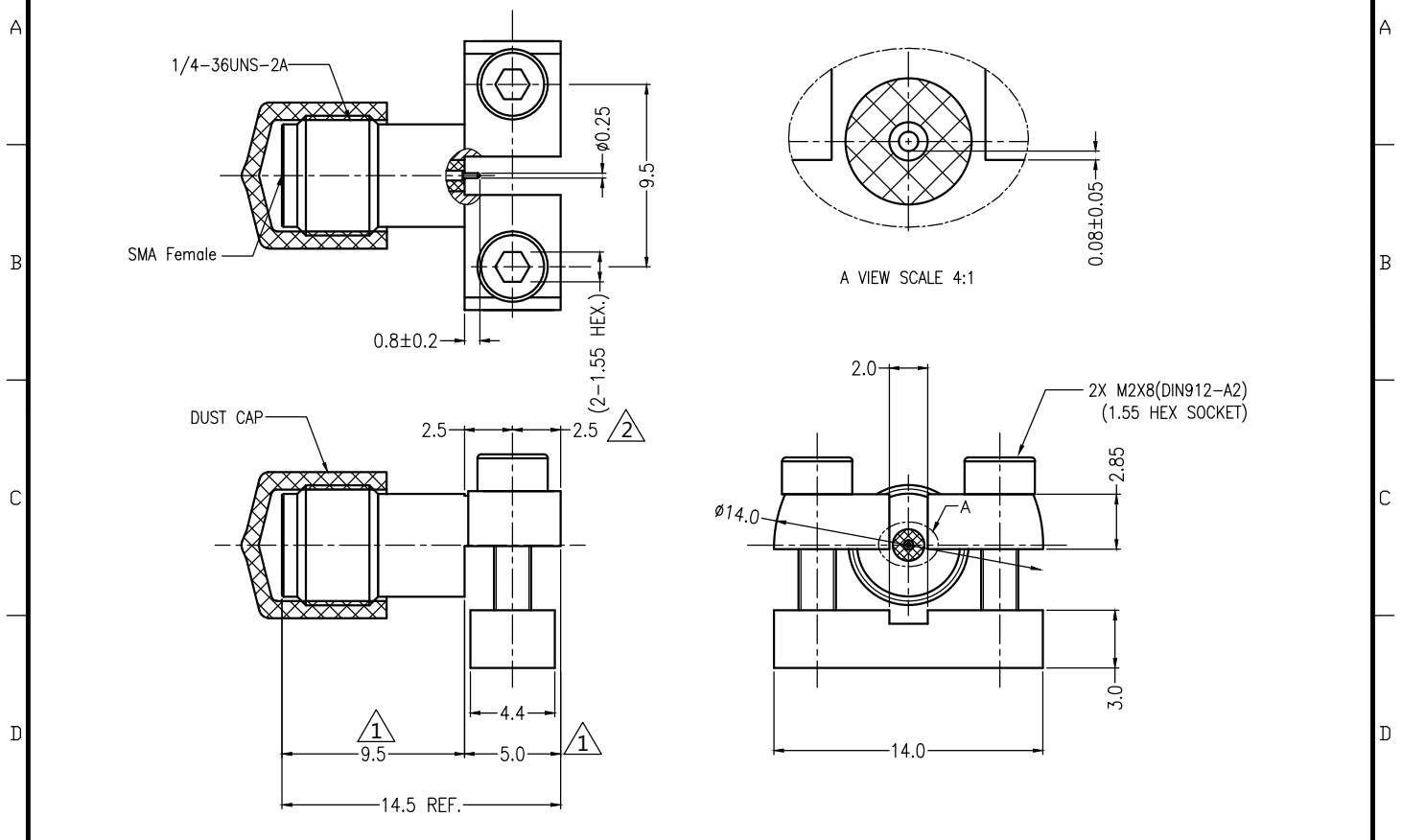


REV.	DESCRIPTION	ECN NO.	NAME	DATE
0	FIRST EDITION	N/A	Liu	2020-04-10
1	Modify size	N/A	Liu	2020-04-13
2	Modify size	N/A	Liu	2020-04-14



ALL PARTS MUST MEET TO RoHS REQUIREMENTS



MATERIALS AND PLATING			UNIT: MICRO-INCHES
BODY	BRASS C3604	GOLD 15u"/CHEMICAL NICKEL/COPPER	
CONTACT PIN	BERYLLIUM COPPER	GOLD 15u"/CHEMICAL NICKEL/COPPER	
INSULATOR	PTFE ASTM-D-1710	N/A	

ELECTRICAL CHARACTERISTICS		
Impedance	50 Ω	
Voltage rating	N/A	
Frequency range	DC ~ 18 GHz	
Dielectric withstanding voltage	> 1000 V	
Contact resistance	Center contact	<3.0 mΩ
	Outer contact	<2.0 mΩ
Insulation resistance	>5000 MΩ	
Insertion loss	<0.1x√f (GHz) dB	
VSWR	<1.1+0.02XF(GHz)	
RF- leakage	> 100 dB @ 0-1 GHz	
Power handling (at 20 °C, sea level, VSWR 1.0)	<200 W @ 2 GHz	
	<100 W @ 10 GHz	
3rd Intermodulation	N/A	

MECHANICAL CHARACTERISTICS	
Force to engage and disengage	N/A
Center contact retention force	> 6 lbs
Recommended coupling torque	0.5 Nm
Coupling test torque	< 0.6 Nm
Durability	> 500 cycles

ENVIRONMENTAL CHARACTERISTICS		
Temperature range	-40 °C ~ +125 °C	
Vibration	US MIL-STD-202 , Meth 204, Cond D	
Shock	US MIL-STD-202 , Meth 213, Cond I	
Thermal shock	US MIL-STD-202 , Meth 107, Cond B	

CUSTOMER OUTLINE DRAWING

***CUSTOMER OUTLINE DRAWING**

UNLESS OTHERWISE SPECIFIED:
 1) EDGES) : C0.15 MAX;
 2) REMOVE ALL BURRS;
 3) SURFACE ROUGHNESS: Ra0.8;
 4) UNITS:mm;
 5) DIMENSIONS TOLERANCES
 DECIMALS .x ±0.3 .xx ±0.2 .xxx±0.1
 ANGLES ±3°

THIRD ANGLE PROJECTION	
APPROVED:	CUSTOMER P/N:
CHECKED:	SCALE:
DRAWING:	DATE:

TITLE: SMA FEMALE S/T FOR PCB EDGE LAUNCH
 DRAWING NO: 5MAF28S-P21-010
 COMPANY WEBSITE: www.slkcorp.com