
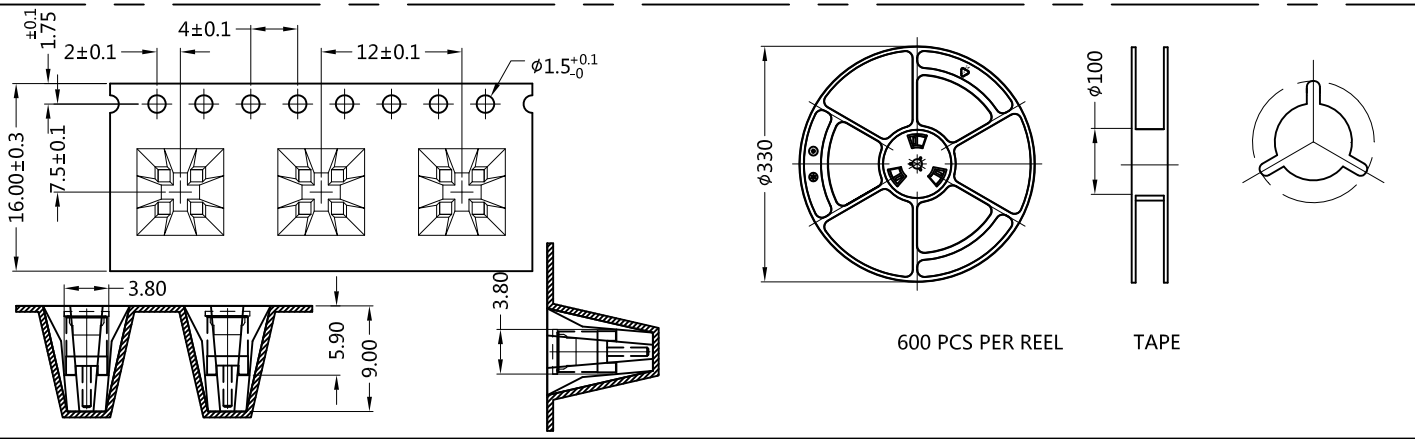
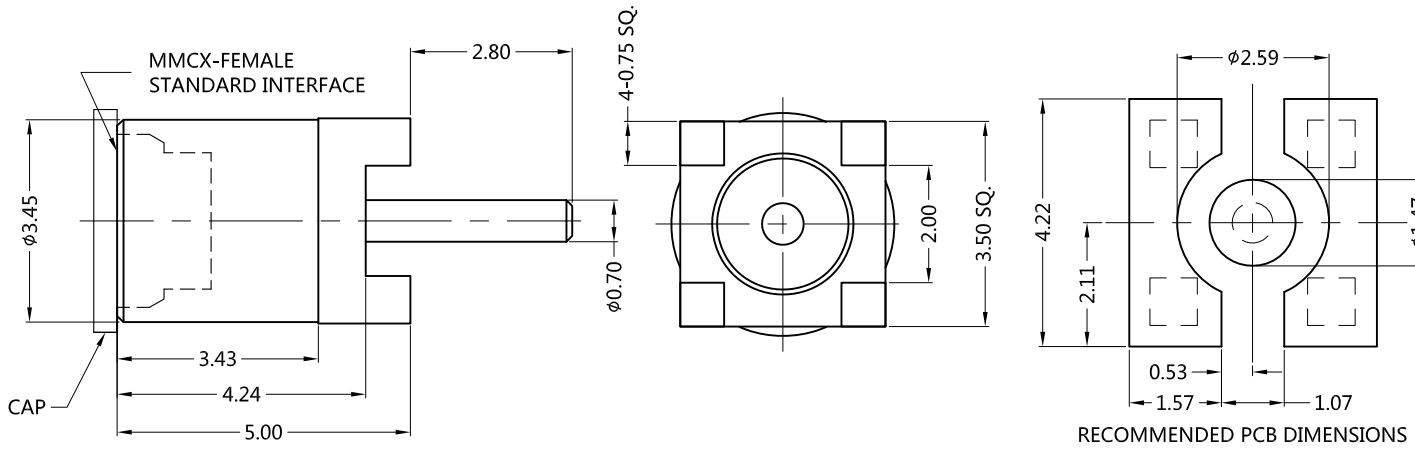


REV.	DESCRIPTION	ECN NO.	NAME	DATE	 ALL PARTS MUST MEET TO RoHS REQUIREMENTS
3	UPDATE DRAWING	N/A	PY	2019-12-02	
4	NEW FRAME	N/A	LEI CHAO	2020-07-08	




MATERIALS AND PLATING		UNIT: MICRO-INCHES
PART NAME	MATERIALS	PLATING
BODY	BRASS C3604	GOLD 3 u"/NICKEL/COPPER
CONTACT PIN	Be-Cu C17300	GOLD 5 u"/NICKEL/COPPER
INSULATOR	PTFE ASTM-D-1710	N/A

ELECTRICAL CHARACTERISTICS	
IMPEDANCE	50 Ω
VOLTAGE RATING	170 V(rms)
FREQUENCY RANGE	DC ~ 6 GHz
DIELECTRIC WITHSTANDING VOLTAGE	>500 V
CONTACT RESISTANCE	CENTER CONTACT
	OUTER CONTACT
INSULATION RESISTANCE	>1000 MΩ
INSERTION LOSS	<0.2 dB
RF- LEAKAGE INTERFACE END	<-50 dB
VSWR	<1.2

MECHANICAL CHARACTERISTICS	
FORCE TO ENGAGE AND DISENGAGE	N/A
CENTER CONTACT RETENTION FORCE	> 1.5 lbs
RECOMMENDED COUPLING TORQUE	N/A
COUPLING NUT RETENTION FORCE	N/A
DURABILITY	> 500 cycles

ENVIRONMENTAL PARAMETER	
TEMPERATURE RANGE	-55 °C~+155 °C
RELATIVE HUMIDITY	US MIL-STD-202,Method 106
VIBRATION	US MIL- STD 202,Method 204,Cond D
SHOCK	US MIL- STD 202,Method 213,Cond I

*** CUSTOMER OUTLINE DRAWING**

UNLESS OTHERWISE SPECIFIED: 1) EDGES : C0.15 MAX ; 2) REMOVE ALL BURRS ; 3) SURFACE ROUGHNESS : Ra1.6 ; 4) UNITS : mm ; 5) DIMENSIONS TOLERANCES DECIMALS : .x ±0.3 .xx ±0.2 .xxx±0.1; ANGLES : ± 5°.	THIRD ANGLE PROJECTION		 TITLE : MMCX FEMALE S/T FOR PCB MOUNTING ,50 Ω DRAWING NO. : 5MCF27S-P41-005 COMPANY WEBSITE : www.slkcorp.com
	APPROVED :	CUSTOMER P/N :	
	CHECKED :	SCALE : 4 : 1	
	DRAWING :	DATE : 2020-07-08	
	PAGE : 1/1		

CUSTOMER OUTLINE DRAWING