
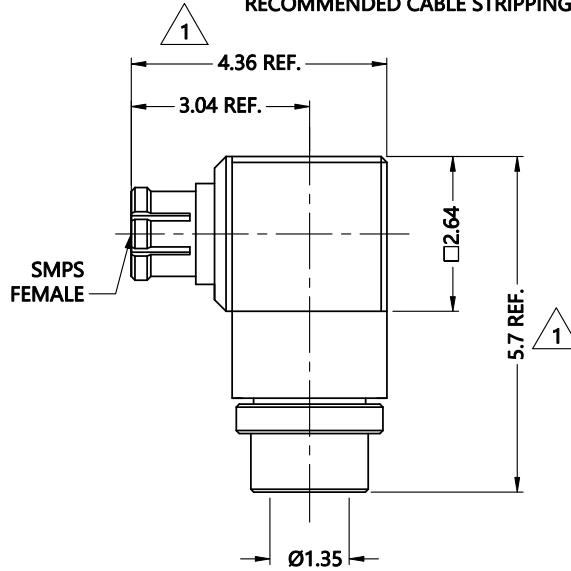
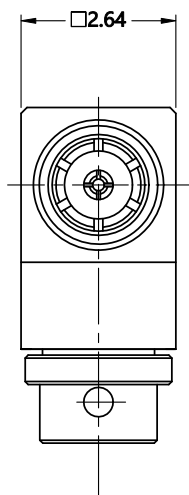
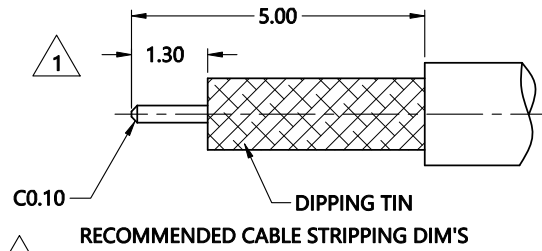


REV.	DESCRIPTION	ECN NO.	NAME	DATE	 ALL PARTS MUST MEET TO RoHS REQUIREMENTS
0	FIRST EDITION	N/A	HRWEI	2021-03-04	
1	UPDATE THE DRAWING	N/A	HRWEI	2021-03-11	

REMARKS:
1. CONTACT PIN TO CAPTIVE
2. BODY TO SOLDER
3. ADD SIZE: 1.5 mm



MATERIALS AND PLATING		UNIT: MICRO-INCHES
PART NAME	MATERIALS	PLATING
BODY	Be-Cu C17300	GOLD 50 u*/NICKEL/COPPER
INSULATOR	PTFE	N/A
CONTACT PIN	Be-Cu C17300	GOLD 50 u*/COPPER
OUT CONTACT	Be-Cu C17300	GOLD 50 u*/NICKEL/COPPER
FERRULE	Be-Cu C17300	GOLD 50 u*/NICKEL/COPPER

ELECTRICAL CHARACTERISTICS		
IMPEDANCE	50 Ω	
VOLTAGE RATING	N/A	
FREQUENCY RANGE	DC ~ 65 GHz	
DIELECTRIC WITHSTANDING VOLTAGE	>250 V	
CONTACT RESISTANCE	CENTER CONTACT	<6.0 mΩ
	OUTER CONTACT	<2.0 mΩ
INSULATION RESISTANCE	>1000 MΩ	
INSERTION LOSS	<0.10x√F(GHz) dB	
VSWR	<1.35(DC~40 GHz)	
	<1.50(DC~65 GHz)	
3RD INTERMODULATION	N/A	

MECHANICAL CHARACTERISTICS		
CENTER CONTACT RETENTION FORCE	>2 lbs	
Engagement force (Type)	Full detent	>2.5 lbs
	Smooth bore	<1.2 lbs
Disengagement force (Type)	Full detent	>4.5 lbs
	Smooth bore	<1.0 lbs
DURABILITY	Full detent	>100 cycles
	Smooth bore	>500 cycles

ENVIRONMENTAL PARAMETER	
TEMPERATURE RANGE	-40 °C ~ +85 °C

*** CUSTOMER OUTLINE DRAWING**

UNLESS OTHERWISE SPECIFIED:
1) EDGES : C0.15 MAX ;
2) REMOVE ALL BURRS ;
3) SURFACE ROUGHNESS : Ra1.6 ;
4) UNITS : mm ;
5) DIMENSIONS TOLERANCES
DECIMALS : .x ±0.3 .xx ±0.2 .xxx±0.1;
ANGLES : ± 5°.

THIRD ANGLE PROJECTION



APPROVED :

CUSTOMER P/N :

CHECKED :

SCALE :

8: 1

DRAWING :

DATE : 2021-03-11

PAGE : 1/1



TITLE : SMPS FEMALE R/A SOLDER FOR P-Flex-047 CABLE,50Ω

DRAWING NO. :

5G3F15R-A420

COMPANY WEBSITE : www.slkcorp.com

CUSTOMER OUTLINE DRAWING