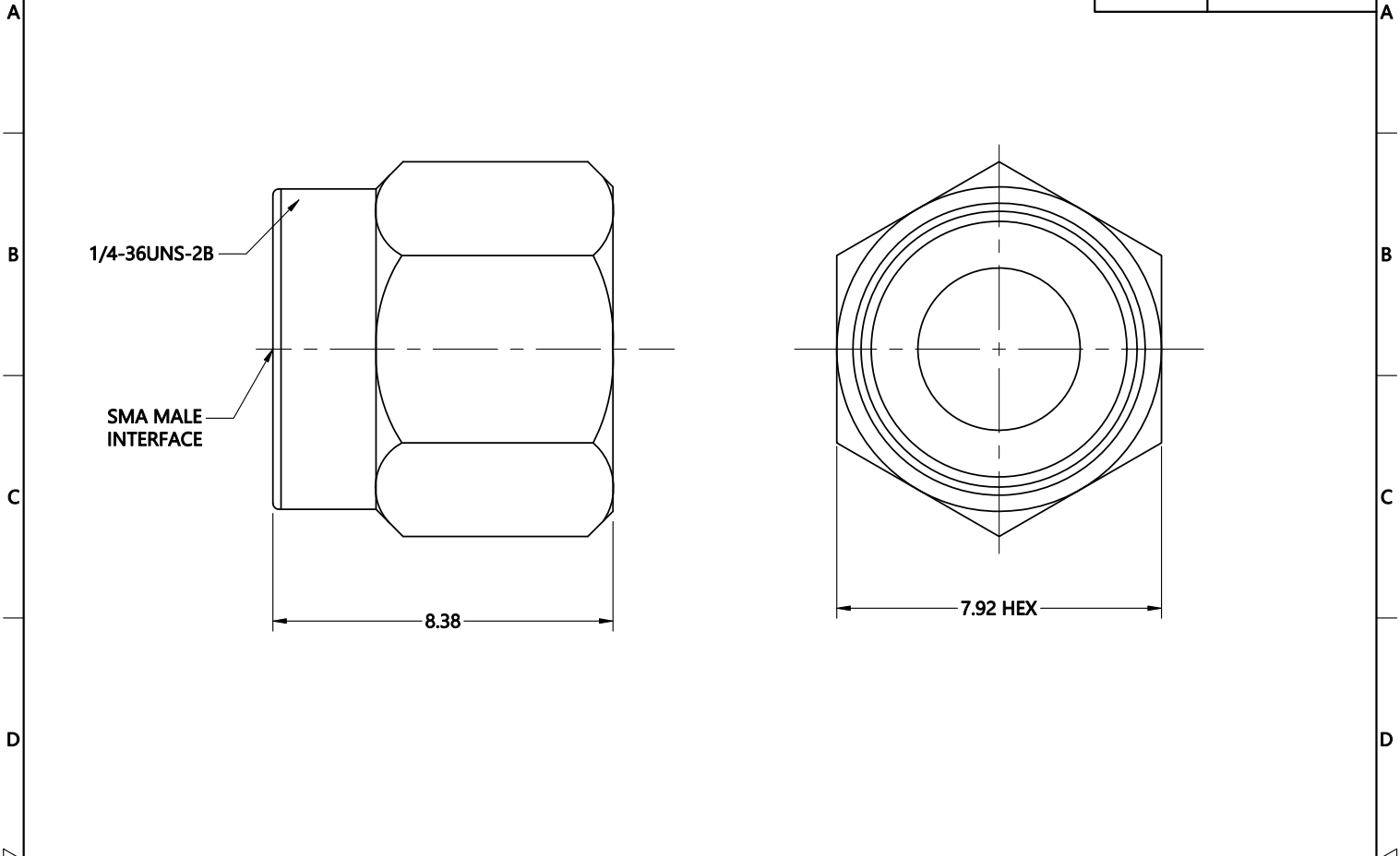


REV.	DESCRIPTION	ECN NO.	NAME	DATE
0	FIRST EDITION	N/A	LEI CHAO	2021-11-24



ALL PARTS MUST MEET TO RoHS REQUIREMENTS



MATERIALS AND PLATING		UNIT: MICRO-INCHES
PART NAME	MATERIALS	PLATING
BODY	STAINLESS STEEL	GOLD PLATING
INSULATOR	PTFE ASTM-D-1710	N/A
CONTACT PIN	Beryllium copper	GOLD PLATING
SHELL	STAINLESS STEEL	Passivation
GASKET	SILICONE	RED
RING	STAINLESS STEEL	N/A
COVER	STAINLESS STEEL	GOLD PLATING

ELECTRICAL CHARACTERISTICS	
IMPEDANCE	50 Ω
VOLTAGE RATING	335V(rms)
FREQUENCY RANGE	DC~26.5GHz
DIELECTRIC WITHSTANDING VOLTAGE	N/A
INSULATION RESISTANCE	N/A
INSERTION LOSS	N/A
VSWR	< 1.15
(AVG .Power)	0.5W
(PEAK .Power)	100W

MECHANICAL CHARACTERISTICS	
FORCE TO ENGAGE AND DISENGAGE	N/A
CENTER CONTACT RETENTION FORCE	> 6 lbs(After Solder)
RECOMMENDED COUPLING TORQUE	7 ~ 10 in-lbs
COUPLING NUT RETENTION FORCE	> 60 lbs
DURABILITY	> 500 cycles

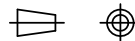
ENVIRONMENTAL PARAMETER	
TEMPERATURE RANGE	-55°C- +125°C
Relative Humidity	MIL-STD-202,Method 106
VIBRATION	MIL-STD-202,Method 204,Cond D
SHOCK	MIL-STD-202,Method 213,Cond I
Corrosion	MIL-STD-202,Method 101,Cond B

*** CUSTOMER OUTLINE DRAWING**

UNLESS OTHERWISE SPECIFIED:

- 1) EDGES : C0.15 MAX ;
- 2) REMOVE ALL BURRS ;
- 3) SURFACE ROUGHNESS : Ra1.6 ;
- 4) UNITS : mm ;
- 5) DIMENSIONS TOLERANCES
 DECIMALS : .x ±0.3 .xx ±0.2 .xxx±0.1;
 ANGLES : ± 5°.

THIRD ANGLE PROJECTION



APPROVED :

CUSTOMER P/N :

CHECKED :

SCALE :

DRAWING :

DATE : 2021-11-24

PAGE : 1/1



TITLE : SMA PLUG 50 OHM FOR LOAD

DRAWING NO. : 5MAM00D-T00-005

COMPANY WEBSITE : www.slkcorp.com

CUSTOMER OUTLINE DRAWING