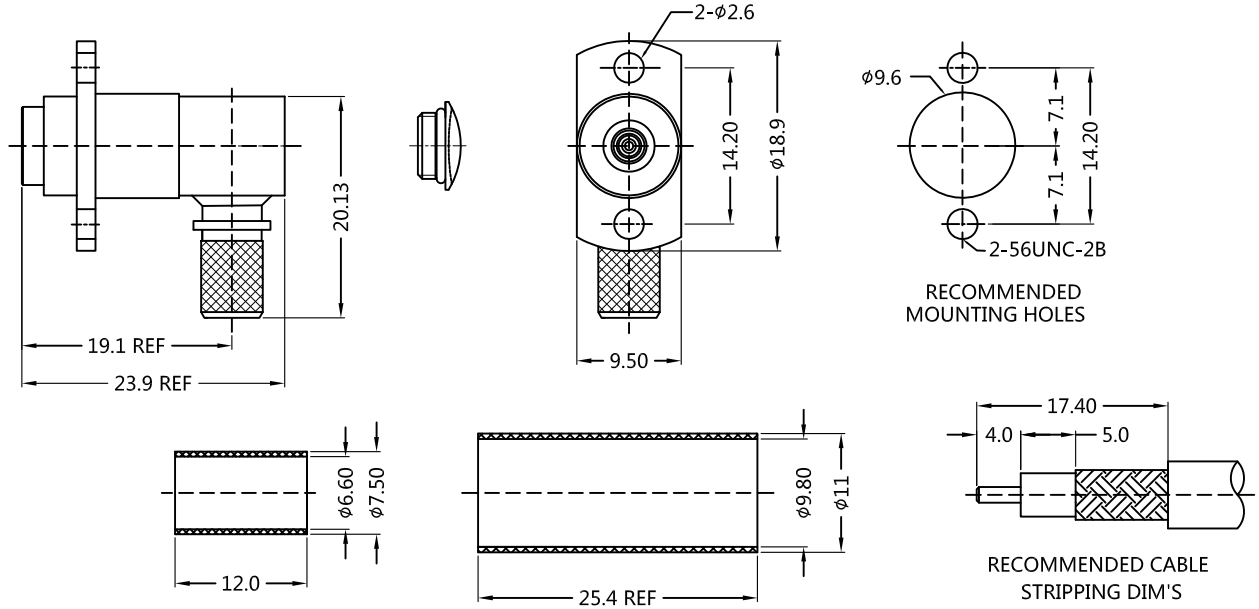


REV.	DESCRIPTION	ECN NO.	NAME	DATE
1	NEW FRAME	N/A	JING	2020-06-20



ALL PARTS MUST MEET TO RoHS REQUIREMENTS

- 1.FERRULE TO CRIMPED THE HEX. SIZE .256"
- 2.CONTACT PIN TO SOLDER

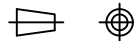


MATERIALS AND PLATING UNIT: MICRO-INCHES			ELECTRICAL CHARACTERISTICS	
PART NAME	MATERIALS	PLATING		
BODY	BRASS C3604	NICKEL 200 u"/COPPER	IMPEDANCE	50 $\Omega$
INSULATOR	TEFLON MIL-P-19468	N/A	VOLTAGE RATING	335 V(rms)
CONTACT PIN	BERYLLIUM COPPER	GOLD 3u" /NICKEL /COPPER	FREQUENCY RANGE	0 ~ 6 GHz
FERRULE	BRASS	NICKEL 200 u"/COPPER	DIELECTRIC WITHSTANDING VOLTAGE	>750 V
			CONTACT RESISTANCE	CENTER CONTACT <3.0 m $\Omega$
				OUTER CONTACT <2.0 m $\Omega$
			INSULATION RESISTANCE	>5000 M $\Omega$
			INSERTION LOSS	According as the cable
			RF-LEAKAGE	N/A
			VSWR	<1.30
			3RD INTERMODULATION	N/A
MECHANICAL CHARACTERISTICS			ENVIRONMENTAL PARAMETER	
FORCE TO ENGAGE AND DISENGAGE		N/A	TEMPERATURE RANGE	-55 $^{\circ}\text{C}$ ~ +125 $^{\circ}\text{C}$
CENTER CONTACT RETENTION FORCE		>6 lbs		
RECOMMENDED COUPLING TORQUE		N/A		
COUPLING NUT RETENTION FORCE		60 lbs MIN.		
DURABILITY		>1000 cycles		

\* CUSTOMER OUTLINE DRAWING

- UNLESS OTHERWISE SPECIFIED:
- 1) EDGES : C0.15 MAX ;
  - 2) REMOVE ALL BURRS ;
  - 3) SURFACE ROUGHNESS : Ra1.6 ;
  - 4) UNITS : mm ;
  - 5) DIMENSIONS TOLERANCES  
 DECIMALS : .x  $\pm 0.3$  .xx  $\pm 0.2$  .xxx  $\pm 0.1$ ;  
 ANGLES :  $\pm 5^{\circ}$ .

THIRD ANGLE PROJECTION



APPROVED :

CUSTOMER P/N :

CHECKED :

SCALE :

DRAWING :

JING

DATE : 2020-06-20

PAGE : 1/1



TITLE : BMA FEMALE R/A FOR LMR240,AMR-600 CABLE

DRAWING NO. : 5BMF11R-A46-001

COMPANY WEBSITE : www.slkcorp.com

CUSTOMER OUTLINE DRAWING