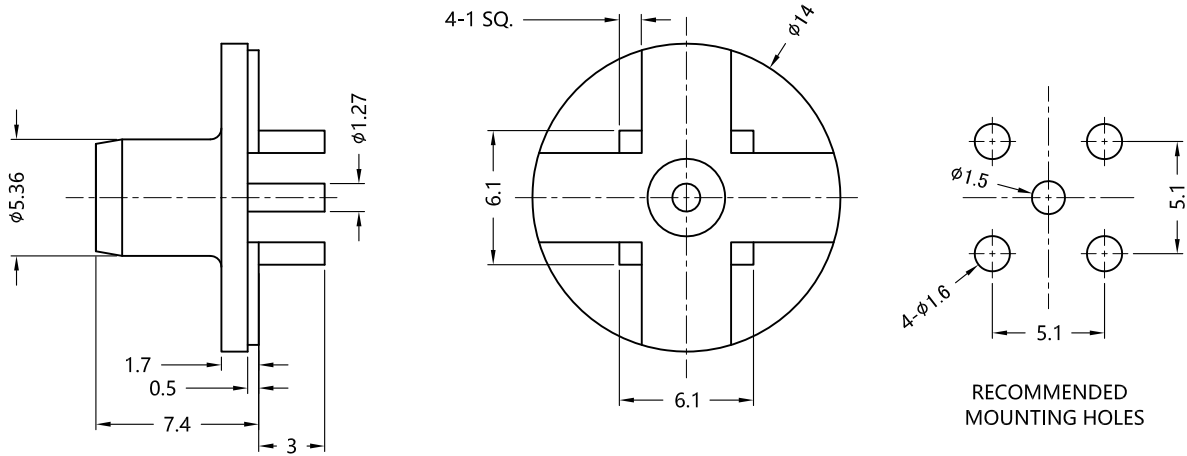


REV.	DESCRIPTION	ECN NO.	NAME	DATE
1	REPLACE FRAME	N/A	Kevin.Li	2020-09-16



ALL PARTS MUST MEET TO RoHS REQUIREMENTS



MATERIALS AND PLATING		UNIT: MICRO-INCHES
PART NAME	MATERIALS	PLATING
BODY	BRASS	GOLD 5 u"/COPPER
INSULATOR	PTFE ASTM-D-1710	N/A
CONTACT PIN	BRASS	GOLD 10 u"/COPPER

ELECTRICAL CHARACTERISTICS	
IMPEDANCE	50 Ω
VOLTAGE RATING	335V(rms)
FREQUENCY RANGE	0 ~ 20 GHz
DIELECTRIC WITHSTANDING VOLTAGE	>750 V
CONTACT RESISTANCE	CENTER CONTACT
	OUTER CONTACT
INSULATION RESISTANCE	>5000 MΩ
INSERTION LOSS	N/A
VSWR	< 1.15
3RD INTERMODULATION	N/A

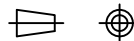
MECHANICAL CHARACTERISTICS	
FORCE TO ENGAGE AND DISENGAGE	N/A
CENTER CONTACT RETENTION FORCE	> 6 lbs
RECOMMENDED COUPLING TORQUE	N/A
COUPLING NUT RETENTION FORCE	N/A
DURABILITY	> 500cycles

ENVIRONMENTAL PARAMETER	
TEMPERATURE RANGE	-40°C- +125°C
RELATIVE HUMIDITY	MIL-STD-202,Method 106
VIBRATION	MIL-STD-202,Method 204,Cond D
SHOCK	MIL-STD-202,Method 213,Cond I
CORROSION	MIL-STD-202,Method 101,Cond B

* CUSTOMER OUTLINE DRAWING

UNLESS OTHERWISE SPECIFIED:
 1) EDGES : C0.15 MAX ;
 2) REMOVE ALL BURRS ;
 3) SURFACE ROUGHNESS : Ra1.6 ;
 4) UNITS : mm ;
 5) DIMENSIONS TOLERANCES
 DECIMALS : .x ±0.3 .xx ±0.2 .xxx±0.1;
 ANGLES : ± 5°.

THIRD ANGLE PROJECTION



APPROVED :

CUSTOMER P/N :

CHECKED :

SCALE :

DRAWING :

DATE : 2020-09-16

PAGE : 1/1



TITLE : BMA MALE S/T FOR PCB THROUGH HOLE,50Ω

DRAWING NO. : 5BMM25S-P01

COMPANY WEBSITE : www.slkcorp.com

CUSTOMER OUTLINE DRAWING