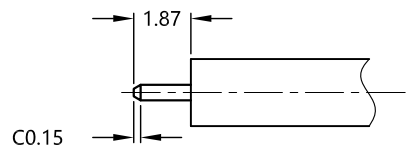


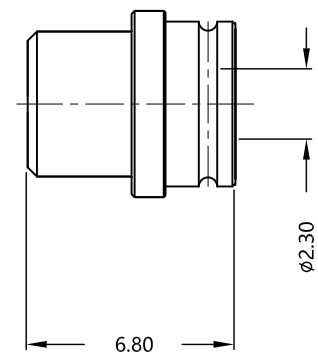
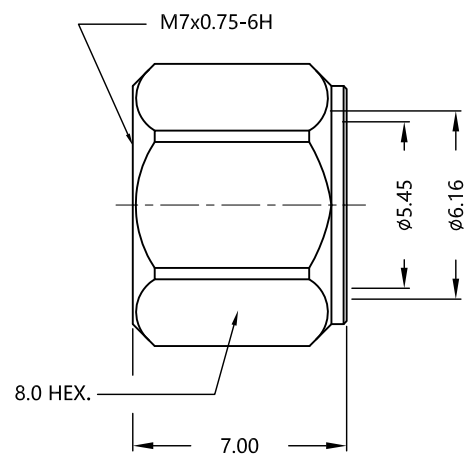
REV.	DESCRIPTION	ECN NO.	NAME	DATE
1	NEW FRAME	N/A	JING	2020-08-11



ALL PARTS MUST MEET TO RoHS REQUIREMENTS



RECOMMENDED CABLE STRIPPING DIM'S



MATERIALS AND PLATING		UNIT: MICRO-INCHES
PART NAME	MATERIALS	PLATING
SHELL	STAINLESS STEEL	PASSIVATION
BODY	BRASS C3604	GOLD 5u"/NICKEL/COPPER

ELECTRICAL CHARACTERISTICS	
IMPEDANCE	50 Ω
VOLTAGE RATING	335 V(rms)
FREQUENCY RANGE	0 ~ 40 GHz
DIELECTRIC WITHSTANDING VOLTAGE	>500 V
CONTACT RESISTANCE	CENTER CONTACT <math>< 3.0 \text{ m}\Omega</math>
	OUTER CONTACT <math>< 2.0 \text{ m}\Omega</math>
INSULATION RESISTANCE	>5000 M Ω
INSERTION LOSS	<math>< 0.05 \times \sqrt{F} \text{ (GHz)} \text{ dB}</math>
RF-LEAKAGE	N/A
VSWR	<math>< 1.30 @ \text{DC-40GHz}</math>
3RD INTERMODULATION	N/A

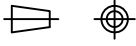
MECHANICAL CHARACTERISTICS	
FORCE TO ENGAGE AND DISENGAGE	N/A
CENTER CONTACT RETENTION FORCE	N/A
RECOMMENDED COUPLING TORQUE	7.0-8.9 in-lbs
COUPLING NUT RETENTION FORCE	>100 lbs
DURABILITY	>500 cycles

ENVIRONMENTAL PARAMETER	
TEMPERATURE RANGE	-55 $^{\circ}\text{C}$ ~ +125 $^{\circ}\text{C}$

CUSTOMER OUTLINE DRAWING

*** CUSTOMER OUTLINE DRAWING**

UNLESS OTHERWISE SPECIFIED:
 1) EDGES : C0.15 MAX ;
 2) REMOVE ALL BURRS ;
 3) SURFACE ROUGHNESS : Ra1.6 ;
 4) UNITS : mm ;
 5) DIMENSIONS TOLERANCES
 DECIMALS : .x ± 0.3 .xx ± 0.2 .xxx ± 0.1 ;
 ANGLES : $\pm 5^{\circ}$.

THIRD ANGLE PROJECTION		
APPROVED :	CUSTOMER P/N :	-
CHECKED :	SCALE :	3 : 1
DRAWING :	DATE :	2020-08-11
JING	PAGE :	1/1



TITLE : 2.4mm MALE S/T FOR UT-085-TP CABLE, 50 Ω

DRAWING NO. : 5P4M15S-S01

COMPANY WEBSITE : www.slkcorp.com