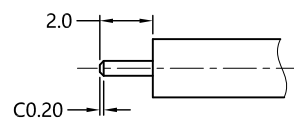


REV.	DESCRIPTION	ECN NO.	NAME	DATE
1	NEW FRAME	N/A	JING	2020-08-12

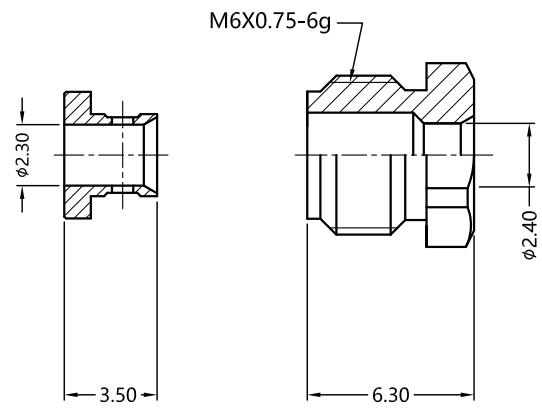
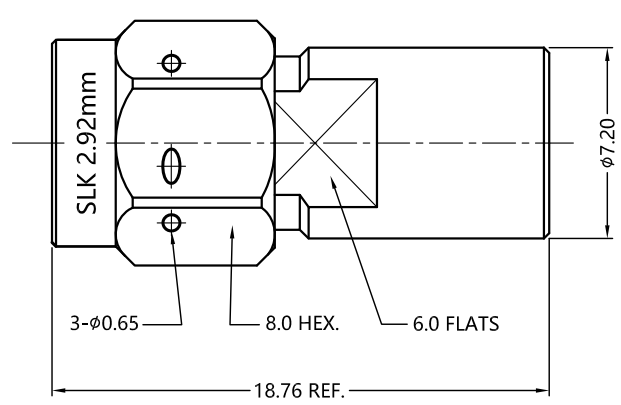


ALL PARTS MUST MEET TO RoHS REQUIREMENTS

REMARKS:  
1.ADDS SIZE: 11.8 mm  
2.CONTACT PIN TO CAPTIVE



RECOMMENDED CABLE STRIPPING DIM'S



MATERIALS AND PLATING		UNIT: MICRO-INCHES
PART NAME	MATERIALS	PLATING
BODY/SHELL	STAINLESS STEEL	PASSIVATION
INSULATOR	PEI	N/A
CONTACT PIN	BRASS	GOLD 50u"/NICKEL/COPPER
FERRULE	BRASS	GOLD 10u"/NICKEL/COPPER
BARREL	STAINLESS STEEL	PASSIVATION

ELECTRICAL CHARACTERISTICS	
IMPEDANCE	50 Ω
VOLTAGE RATING	335 V(rms)
FREQUENCY RANGE	0 ~ 40 GHz
DIELECTRIC WITHSTANDING VOLTAGE	>500 V
CONTACT RESISTANCE	CENTER CONTACT <3.0 mΩ
	OUTER CONTACT <2.0 mΩ
INSULATION RESISTANCE	>5000 MΩ
INSERTION LOSS	According to the cable
RF-LEAKAGE	N/A
VSWR	<1.20
3RD INTERMODULATION	N/A

MECHANICAL CHARACTERISTICS	
FORCE TO ENGAGE AND DISENGAGE	N/A
CENTER CONTACT RETENTION FORCE	>6 lbs
RECOMMENDED COUPLING TORQUE	7-10 in-lbs
COUPLING NUT RETENTION FORCE	>60 lbs
DURABILITY	>500 cycles

ENVIRONMENTAL PARAMETER	
TEMPERATURE RANGE	-55 °C ~ +125 °C

\* CUSTOMER OUTLINE DRAWING

UNLESS OTHERWISE SPECIFIED:  
1) EDGES : C0.15 MAX ;  
2) REMOVE ALL BURRS ;  
3) SURFACE ROUGHNESS : Ra1.6 ;  
4) UNITS : mm ;  
5) DIMENSIONS TOLERANCES  
DECIMALS : .x ±0.3 .xx ±0.2 .xxx±0.1;  
ANGLES : ± 5°.

THIRD ANGLE PROJECTION	
APPROVED :	CUSTOMER P/N :
CHECKED :	SCALE :
DRAWING :	DATE :
JING	2020-08-12
PAGE : 1/1	

TITLE : 2.92mm MALE S/T SLODER FOR SLD-086 CABLE, 50Ω  
DRAWING NO. : 5P9M15S-A471-001  
COMPANY WEBSITE : www.slkcorp.com

CUSTOMER OUTLINE DRAWING