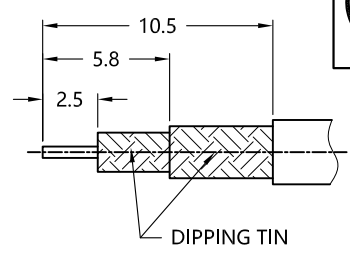


REV.	DESCRIPTION	ECN NO.	NAME	DATE
0-1	MODIFY STRUCTURE	N/A	CLOUD	2015-04-15
0-2	SHOWS THE DETAILS	N/A	YY	2015-05-15
3	REPLACE FRAME	N/A	Kevin.Li	2020-09-16

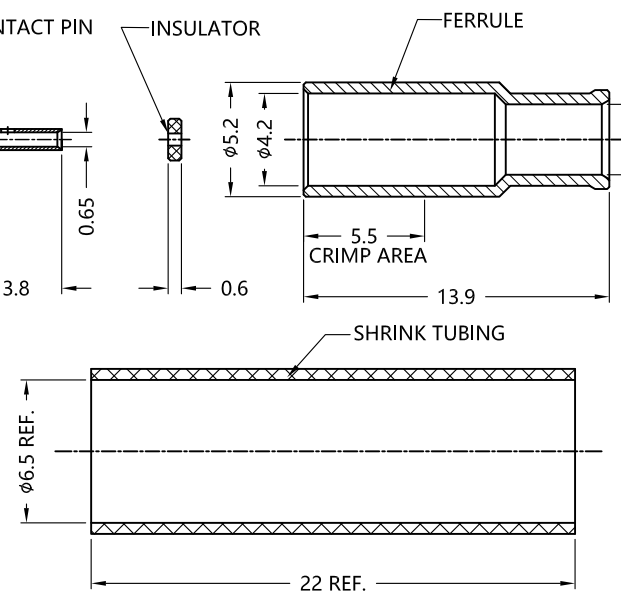
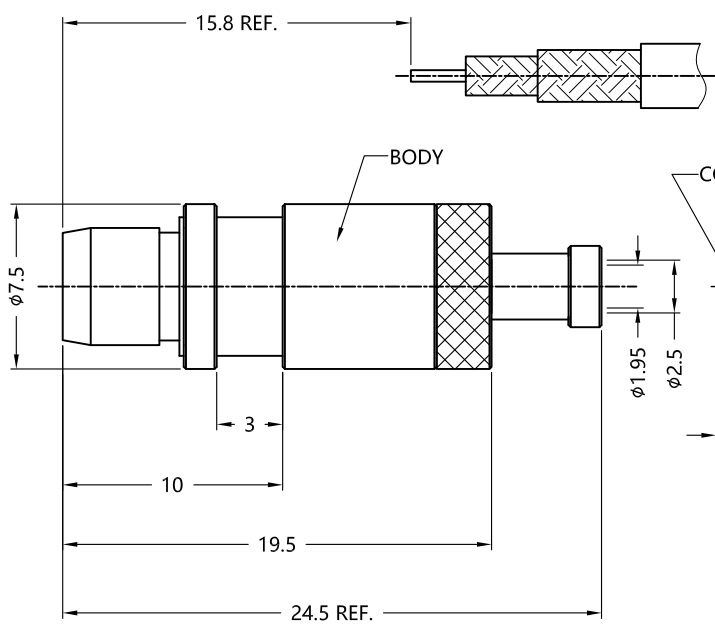


ALL PARTS MUST MEET TO RoHS REQUIREMENTS

REMARKS:
 1. CONTACT PIN TO SOLDER
 2. CRIMPED FERRULE HEX. CRIMP SIZE .178"



DIPPING TIN
 RECOMMENDED CABLE STRIPPING DIM'S



MATERIALS AND PLATING		UNIT: MICRO-INCHES
PART NAME	MATERIALS	PLATING
BODY	STAINLESS STEEL	PASSIVATION
INSULATOR	PTFE ASTM-D-1710	N/A
CONTACT PIN	BRASS	GOLD 50 u"/COPPER
BARREL	BRASS	GOLD 10 u"/COPPER
FERRULE	BRASS	NICKEL 200 u"/COPPER

ELECTRICAL CHARACTERISTICS	
IMPEDANCE	50 Ω
VOLTAGE RATING	335V(rms)
FREQUENCY RANGE	0 ~ 6 GHz
DIELECTRIC WITHSTANDING VOLTAGE	>500 V
CONTACT RESISTANCE	CENTER CONTACT <3.0 mΩ
	OUTER CONTACT <2.0 mΩ
INSULATION RESISTANCE	>5000 MΩ
INSERTION LOSS	N/A
VSWR	< 1.25
3RD INTERMODULATION	N/A

MECHANICAL CHARACTERISTICS	
FORCE TO ENGAGE AND DISENGAGE	N/A
CENTER CONTACT RETENTION FORCE	> 6 lbs
RECOMMENDED COUPLING TORQUE	N/A
COUPLING NUT RETENTION FORCE	N/A
DURABILITY	> 500cycles

ENVIRONMENTAL PARAMETER	
TEMPERATURE RANGE	-40°C- +125°C

CUSTOMER OUTLINE DRAWING

* CUSTOMER OUTLINE DRAWING

UNLESS OTHERWISE SPECIFIED:
 1) EDGES : C0.15 MAX ;
 2) REMOVE ALL BURRS ;
 3) SURFACE ROUGHNESS : Ra1.6 ;
 4) UNITS : mm ;
 5) DIMENSIONS TOLERANCES
 DECIMALS : .x ±0.3 .xx ±0.2 .xxx±0.1;
 ANGLES : ± 5°.

THIRD ANGLE PROJECTION		
APPROVED :	CUSTOMER P/N :	-
CHECKED :	SCALE :	-
DRAWING :	DATE :	2020-09-15
PAGE : 1/1		

SLK
 SUPERLINK

TITLE : BMA MALE S/T SOLDER FOR SF-316 CABLE,50Ω

DRAWING NO. : 5BMM15S-A450

COMPANY WEBSITE : www.slkcorp.com