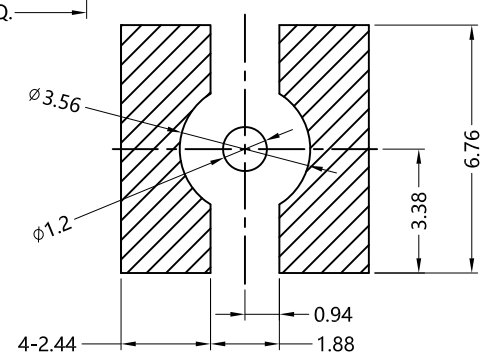
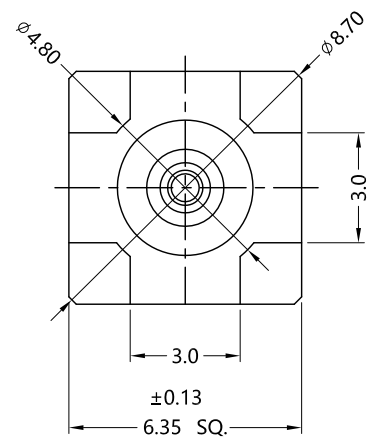
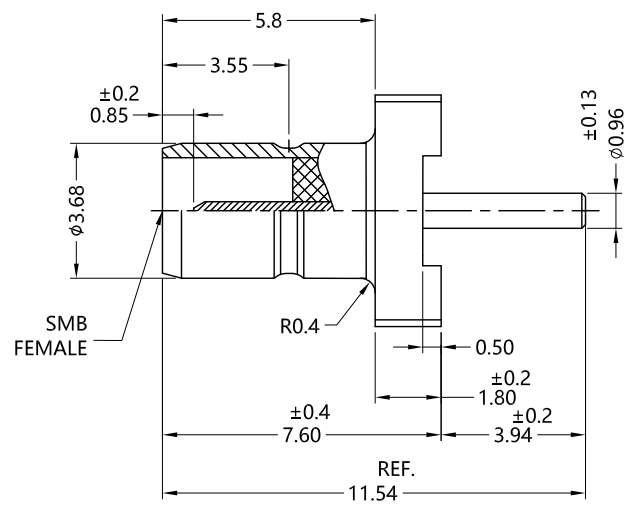


REV	DESCRIPTION	ECN NO	NAME	DATE
0	FIRST EDITION	N/A	LLS	2017-02-07
2	NEW FRAME	N/A	Liu	2020-10-08



ALL PARTS MUST MEET TO RoHS REQUIREMENTS



RECOMMENDED PCB LAYOUT

MATERIALS AND PLATING		UNIT: MICRO-INCHES
BODY	BRASS C3604	Au 3 u"/CHEMICAL Ni/Cu
CONTACT PIN	BERYLLIUM COPPER	Au 30 u"/CHEMICAL Ni/Cu
INSULATOR	PTFE ASTM-D-1710	N/A

ELECTRICAL CHARACTERISTICS		
IMPEDANCE	75 Ω	
VOLTAGE RATING	250 V(rms)	
FREQUENCY RANGE	0~3 GHz	
DIELECTRIC WITHSTANDING VOLTAGE	>750 V	
CONTACT RESISTANCE	CENTER CONTACT	<6.0 mΩ
	OUTER CONTACT	<1.0 mΩ
INSULATION RESISTANCE	>1000 MΩ	
INSERTION LOSS	N/A	
VSWR	<1.3 (SINGLE)	
3RD INTERMODULATION	N/A	

MECHANICAL CHARACTERISTICS	
FORCE TO ENGAGE AND DISENGAGE	N/A
CENTER CONTACT RETENTION FORCE	>4 lbs(Soldered)
RECOMMENDED COUPLING TORQUE	N/A
COUPLING NUT RETENTION FORCE	N/A
DURABILITY	>500 cycles

ENVIRONMENTAL CHARACTERISTICS	
TEMPERATURE RANGE	-65 °C~+165 °C

* CUSTOMER OUTLINE DRAWING

UNLESS OTHERWISE SPECIFIED:
 1) C0.15 MAX;
 2) REMOVE ALL BURRS;
 3) SURFACE ROUGHNESS : Ra1.6;
 4) UNITS:mm;
 5) DIMENSIONS TOLERANCES
 DECIMALS .x ±0.3 .xx ±0.2 .xxx±0.1
 ANGLES ±5°

THIRD ANGLE PROJECTION		
APPROVED:	CUSTOMER P/N:	-
CHECKED:	SCALE:	4:1
DRAWING:	DATE:	2020-10-08
COMPANY WEBSITE: www.slkcorp.com		



TITLE: SMB FEMALE S/T FOR PCB SMT,75Ω
 DRAWING NO: 7MBF27S-P41

CUSTOMER OUTLINE DRAWING