
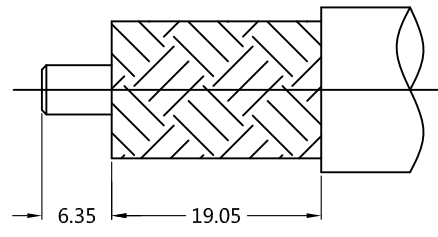
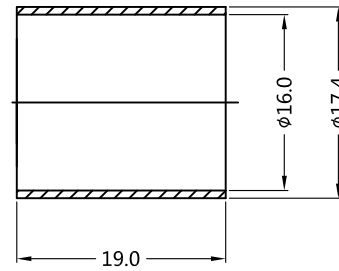
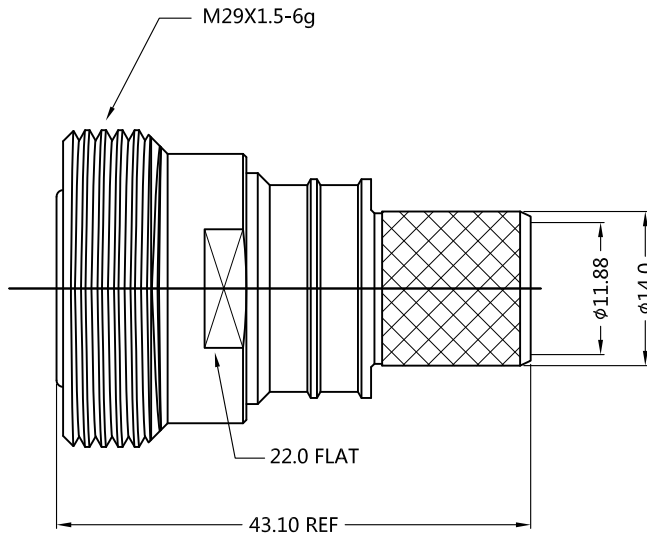


REV.	DESCRIPTION	ECN NO.	NAME	DATE	 ALL PARTS MUST MEET TO RoHS REQUIREMENTS
0	CHANGE PLATING	N/A	LIU	2015-06-08	
1	NEW FRAME	N/A	JING	2020-05-22	

MARK:
 1. CONTACT PIN IS CAPTIVE
 2. HEX. CRIMP SIZE .610"



RECOMMENDED
CABLE STRIPPING DIM'S



MATERIALS AND PLATING		UNIT: MICRO-INCHES
PART NAME	MATERIALS	PLATING
BODY	BRASS	ALBALOY 80u"/COPPER
INSULATOR	TEFLON	N/A
CONTACT PIN	PHOSPHOR BRONZE	SILVER 200u"/COPPER
FERRULE	BRASS	NICKEL 100u"/COPPER

ELECTRICAL CHARACTERISTICS	
IMPEDANCE	50 Ω
VOLTAGE RATING	1000 V(rms)
FREQUENCY RANGE	0 ~ 1 GHz
DIELECTRIC WITHSTANDING VOLTAGE	>1500 V
CONTACT RESISTANCE	CENTER CONTACT
	OUTER CONTACT
INSULATION RESISTANCE	>5000 MΩ
INSERTION LOSS	ACCORDING AS THE CABLE
RF-LEAKAGE	N/A
VSWR	<1.25

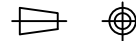
MECHANICAL CHARACTERISTICS	
FORCE TO ENGAGE AND DISENGAGE	N/A
CENTER CONTACT RETENTION FORCE	N/A
RECOMMENDED COUPLING TORQUE	221 in-lbs
COUPLING NUT RETENTION FORCE	225 lbs
DURABILITY	>500 cycles

ENVIRONMENTAL PARAMETER	
TEMPERATURE RANGE	-55 °C~+155 °C
THERMAL SHOCK	MIL- STD 202, Meth. 107,Cond. B
VIBRATION	MIL- STD 202, Meth. 204,Cond. B
SHOCK	MIL- STD 202, Meth. 213,Cond. I
CLIMATIC CLASS	IEC 60068 65 /165 /21

* CUSTOMER OUTLINE DRAWING

UNLESS OTHERWISE SPECIFIED:
 1) EDGES : C0.15 MAX ;
 2) REMOVE ALL BURRS ;
 3) SURFACE ROUGHNESS : Ra1.6 ;
 4) UNITS : mm ;
 5) DIMENSIONS TOLERANCES
 DECIMALS : .x ±0.2 .xx ±0.1 .xxx±0.05;
 ANGLES : ± 2°.

THIRD ANGLE PROJECTION



APPROVED :

CUSTOMER P/N :

CHECKED :

SCALE :

3 : 2

DRAWING :

JING

DATE : 2020-05-22

PAGE : 1/1



TITLE : 7 /16 FEMALE S/T CONNECTOR FOR LMR-600 CABLE

DRAWING NO. :

5A7F11S-A22-001

COMPANY WEBSITE : www.slkcorp.com

CUSTOMER OUTLINE DRAWING