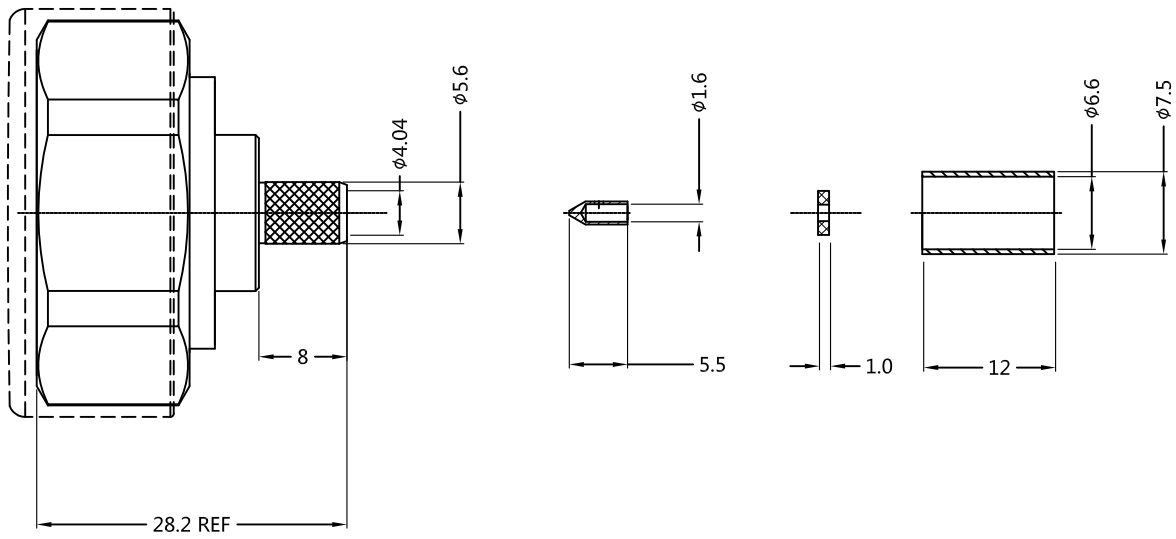
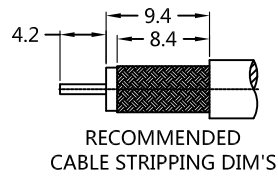


REV.	DESCRIPTION	ECN NO.	NAME	DATE
0	FIRST EDITION	N/A	YY	2016-10-09
1	NEW FRAME	N/A	JING	2020-05-27



ALL PARTS MUST MEET TO RoHS REQUIREMENTS

MARK: 1. CONTACT PIN IS CAPTIVE
2. HEX. CRIMP SIZE 256"



MATERIALS AND PLATING		UNIT: MICRO-INCHES
PART NAME	MATERIALS	PLATING
BODY	BRASS	ALBALOY 80u"/COPPER
INSULATOR	TEFLON	N/A
CONTACT PIN	PHOSPHOR BRONZE	SILVER 200"/COPPER
FERRULE	BRASS	ALBALOY 80u"/COPPER

ELECTRICAL CHARACTERISTICS	
IMPEDANCE	50 Ω
VOLTAGE RATING	1000 V(rms)
FREQUENCY RANGE	0 ~ 2.5 GHz
DIELECTRIC WITHSTANDING VOLTAGE	>1500 V
CONTACT RESISTANCE	CENTER CONTACT
	OUTER CONTACT
INSULATION RESISTANCE	> 5000 MΩ
INSERTION LOSS	ACCORDING AS THE CABLE
RF-LEAKAGE	N/A
VSWR	<1.3

MECHANICAL CHARACTERISTICS	
FORCE TO ENGAGE AND DISENGAGE	N/A
CENTER CONTACT RETENTION FORCE	45 lbs
RECOMMENDED COUPLING TORQUE	221 in-lbs
COUPLING NUT RETENTION FORCE	225 lbs
DURABILITY	>500 cycles

ENVIRONMENTAL PARAMETER	
TEMPERATURE RANGE	-55 °C ~ +155 °C
THERMAL SHOCK	MIL- STD 202, Meth. 107, Cond. B
VIBRATION	MIL- STD 202, Meth. 204, Cond. B
SHOCK	MIL- STD 202, Meth. 213, Cond. I
CLIMATIC CLASS	IEC 60068 65 / 165 / 21

* CUSTOMER OUTLINE DRAWING

UNLESS OTHERWISE SPECIFIED:
 1) EDGES : C0.15 MAX ;
 2) REMOVE ALL BURRS ;
 3) SURFACE ROUGHNESS : Ra1.6 ;
 4) UNITS : mm ;
 5) DIMENSIONS TOLERANCES
 DECIMALS : .x ±0.3 .xx ±0.2 .xxx±0.1;
 ANGLES : ± 5°.

THIRD ANGLE PROJECTION	
APPROVED :	CUSTOMER P/N :
CHECKED :	SCALE :
DRAWING :	DATE :
JING	2020-05-27
PAGE : 1/1	

TITLE : 716 MALE ST CRIMP CONNECTOR FOR LMR240-UF CABLE
 DRAWING NO. : 5A7M11S-A46
 COMPANY WEBSITE : www.slkcorp.com

CUSTOMER OUTLINE DRAWING