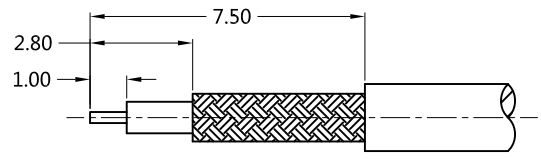
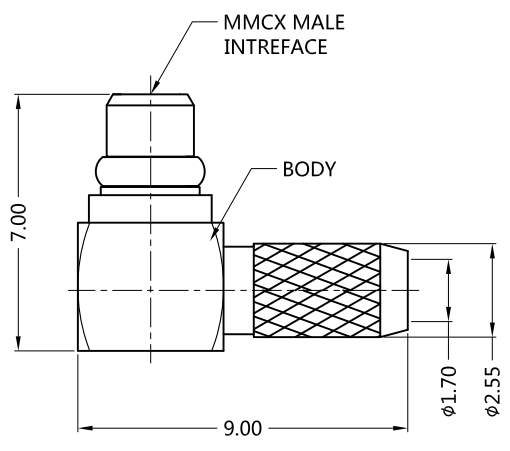


REV.	DESCRIPTION	ECN NO.	NAME	DATE
1	Ø1.70 WAS Ø1.67	N/A	yy	2018-03-08
2	NEW FRAME	N/A	LEI CHAO	2020-07-08

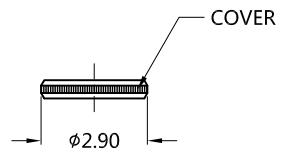
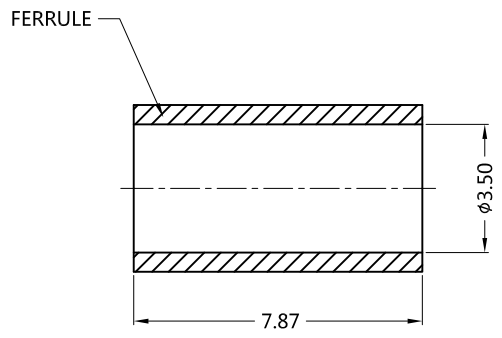


ALL PARTS MUST MEET TO RoHS REQUIREMENTS

1. CRIMPED FERRULE HEX. CRIMP SIZE .152"
2. CONTACT PIN TO SOLDER



RECOMMENDED CABLE STRIPPING DIM'S



MATERIALS AND PLATING		UNIT: MICRO-INCHES
PART NAME	MATERIALS	PLATING
BODY	BRASS C3604	GOLD 16 u"/NICKEL/COPPER
CONTACT PIN	BRASS C3604	GOLD 32 u"/NICKEL/COPPER
INSULATOR	PTFE ASTM-D-1710	N/A
COVER	BRASS C3602	GOLD 16 u"/NICKEL/COPPER
FERRULE	BRASS C3604	GOLD 32 u"/NICKEL/COPPER
RING	Be-Cu C17300	GOLD 16 u"/NICKEL/COPPER

ELECTRICAL CHARACTERISTICS		
IMPEDANCE	50 Ω	
VOLTAGE RATING	175 V(rms)	
FREQUENCY RANGE	DC ~ 6 GHz	
DIELECTRIC WITHSTANDING VOLTAGE	> 500 V	
CONTACT RESISTANCE	CENTER CONTACT	< 5.0 mΩ
	OUTER CONTACT	< 2.5 mΩ
INSULATION RESISTANCE	> 1000 MΩ	
INSERTION LOSS	N/A	
VSWR	< 1.35	
3RD INTERMODULATION	N/A	

MECHANICAL CHARACTERISTICS	
DISENGAGE FORCE	1.35~4 lbs
CENTER CONTACT RETENTION FORCE	> 2.25 lbs
RECOMMENDED COUPLING TORQUE	N/A
COUPLING NUT RETENTION FORCE	N/A
DURABILITY	> 500 cycles

ENVIRONMENTAL PARAMETER	
TEMPERATURE RANGE	-55 °C ~ +155 °C

CUSTOMER OUTLINE DRAWING

*** CUSTOMER OUTLINE DRAWING**

UNLESS OTHERWISE SPECIFIED:
 1) EDGES : C0.15 MAX ;
 2) REMOVE ALL BURRS ;
 3) SURFACE ROUGHNESS : Ra1.6 ;
 4) UNITS : mm ;
 5) DIMENSIONS TOLERANCES
 DECIMALS : .x ±0.3 .xx ±0.2 .xxx ±0.1;
 ANGLES : ± 5°.

THIRD ANGLE PROJECTION		
APPROVED :	CUSTOMER P/N :	-
CHECKED :	SCALE :	4 : 1
DRAWING :	DATE :	2020-07-08
PAGE :		1/1

TITLE : MMCX MALE R/A CRIMP FOR RG316 CABLE ,50 Ω

DRAWING NO. : 5MCM11R-A50-010

COMPANY WEBSITE : www.slkcorp.com