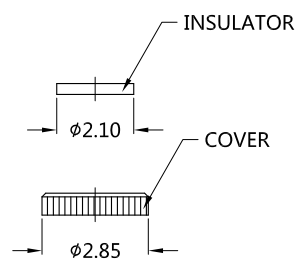
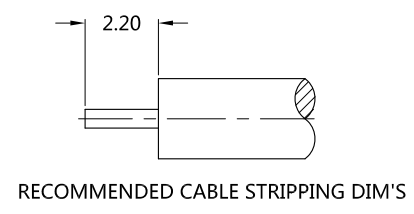
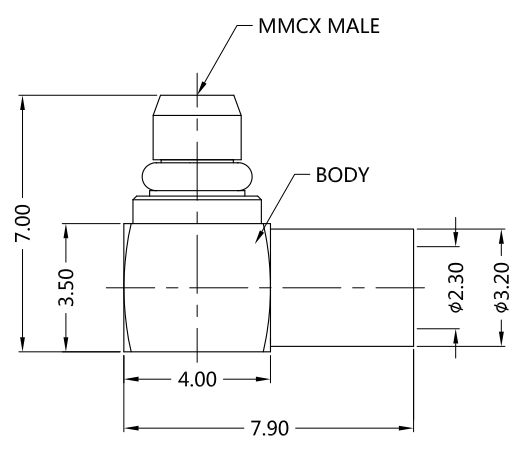


REV.	DESCRIPTION	ECN NO.	NAME	DATE
2	Change plating	N/A	WLZ	2015-06-11
3	NEW FRAME	N/A	LEI CHAO	2020-07-08



ALL PARTS MUST MEET TO RoHS REQUIREMENTS



1. CONTACT PIN TO SOLDER

MATERIALS AND PLATING		UNIT: MICRO-INCHES
PART NAME	MATERIALS	PLATING
BODY	BRASS	GOLD 20 u"/NICKEL/COPPER
CONTACT PIN	BRASS C3604	GOLD 40 u"/NICKEL/COPPER
INSULATOR	TEFLON MIL-P-19468	N/A
RING	Be-Cu C17300	GOLD 20 u"/NICKEL /COPPER
COVER	BRASS C3604	GOLD 20 u"/NICKEL /COPPER

ELECTRICAL CHARACTERISTICS	
IMPEDANCE	50 Ω
VOLTAGE RATING	170 V(rms)
FREQUENCY RANGE	DC ~ 6 GHz
DIELECTRIC WITHSTANDING VOLTAGE	> 500 V
CONTACT RESISTANCE	CENTER CONTACT <10 mΩ
	OUTER CONTACT <5 mΩ
INSULATION RESISTANCE	>1000 MΩ
INSERTION LOSS	N/A
VSWR	< 1.35@DC-3 GHz
3RD INTERMODULATION	N/A

MECHANICAL CHARACTERISTICS	
FORCE TO ENGAGE AND DISENGAGE	N/A
CENTER CONTACT RETENTION FORCE	N/A
RECOMMENDED COUPLING TORQUE	N/A
COUPLING NUT RETENTION FORCE	N/A
DURABILITY	> 500 cycles

ENVIRONMENTAL PARAMETER	
TEMPERATURE RANGE	-55 °C~+155 °C

CUSTOMER OUTLINE DRAWING

*** CUSTOMER OUTLINE DRAWING**

UNLESS OTHERWISE SPECIFIED:
 1) EDGES : C0.15 MAX ;
 2) REMOVE ALL BURRS ;
 3) SURFACE ROUGHNESS : Ra1.6 ;
 4) UNITS : mm ;
 5) DIMENSIONS TOLERANCES
 DECIMALS : .x ±0.3 .xx ±0.2 .xxx±0.1;
 ANGLES : ± 5°.

THIRD ANGLE PROJECTION		
APPROVED :	CUSTOMER P/N :	-
CHECKED :	SCALE :	4 : 1
DRAWING :	DATE :	2020-07-08
PAGE :		1/1

TITLE : MMCX MALE R/A SOLDER FOR .086 CABLE ,50 Ω

DRAWING NO. : 5MCM15R-S01-004

COMPANY WEBSITE : www.slkcorp.com