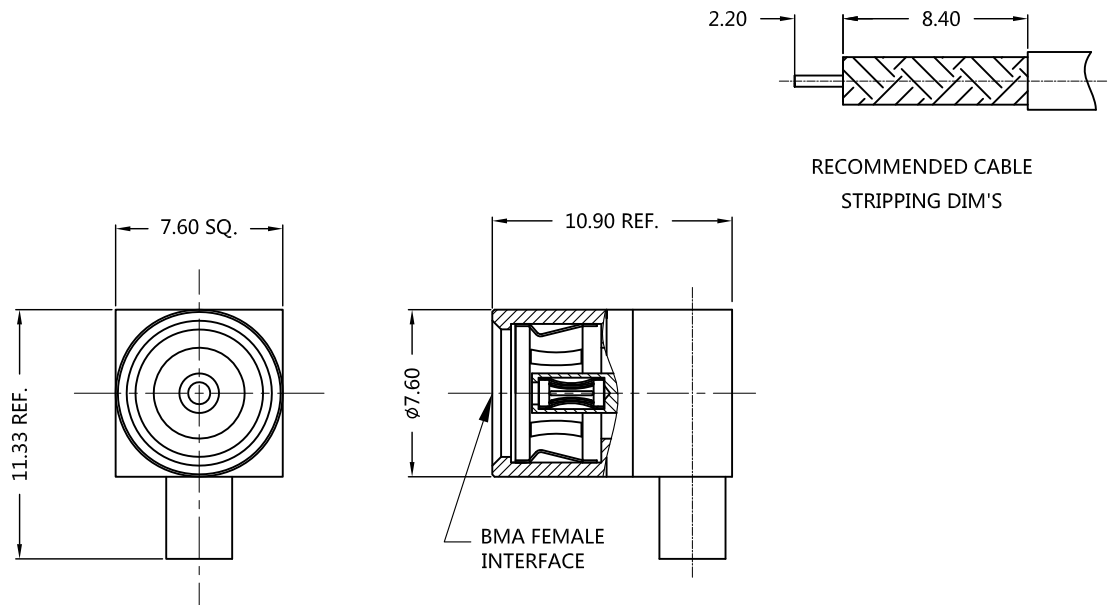


REV.	DESCRIPTION	ECN NO.	NAME	DATE
A1	CHANGE STANDING WAVE	ECN1707027	ZLQ	2017-07-31
A2	NEW FRAME	N/A	JING	2020-06-20



ALL PARTS MUST MEET TO RoHS REQUIREMENTS



MATERIALS AND PLATING		UNIT: MICRO-INCHES
PART NAME	MATERIALS	PLATING
BODY	BRASS C3604	GOLD 3u"/NICKEL/COPPER
INSULATOR	TEFLON & PEEK	N/A
CONTACT PIN	BRASS C3602	GOLD30u"/NICKEL/COPPER

ELECTRICAL CHARACTERISTICS	
IMPEDANCE	50 Ω
VOLTAGE RATING	250 V(rms)
FREQUENCY RANGE	0 ~ 12 GHz
DIELECTRIC WITHSTANDING VOLTAGE	>675 V
CONTACT RESISTANCE	CENTER CONTACT <2.0 mΩ
	OUTER CONTACT <2.0 mΩ
INSULATION RESISTANCE	>5000 MΩ
INSERTION LOSS	N/A
RF-LEAKAGE	N/A
VSWR	<1.30
3RD INTERMODULATION	N/A

MECHANICAL CHARACTERISTICS	
FORCE TO ENGAGE AND DISENGAGE	<13.5 N >0.2 N
CENTER CONTACT RETENTION FORCE	N/A
RECOMMENDED COUPLING TORQUE	N/A
COUPLING NUT RETENTION FORCE	N/A
DURABILITY	>500 cycles

ENVIRONMENTAL PARAMETER	
TEMPERATURE RANGE	-55 °C ~ +125 °C
THERMAL SHOCK	MIL- STD 202, Meth. 107, Cond. B
VIBRATION	MIL- STD 202, Meth. 204, Cond. B
SHOCK	MIL- STD 202, Meth. 204, Cond. B

* CUSTOMER OUTLINE DRAWING

UNLESS OTHERWISE SPECIFIED:
 1) EDGES : C0.15 MAX ;
 2) REMOVE ALL BURRS ;
 3) SURFACE ROUGHNESS : Ra1.6 ;
 4) UNITS : mm ;
 5) DIMENSIONS TOLERANCES
 DECIMALS : .x ±0.3 .xx ±0.2 .xxx±0.1;
 ANGLES : ± 5°.

THIRD ANGLE PROJECTION		
APPROVED :	CUSTOMER P/N :	-
CHECKED :	SCALE :	3 : 1
DRAWING :	DATE :	2020-06-20
JING	PAGE :	1/1

SLK
 SUPERLINK
 TITLE : BMA FEMALE S/T SOLDER FOR Tflex-405 CABLE, 50Ω
 DRAWING NO. : 5BMF15R-A82
 COMPANY WEBSITE : www.slkcorp.com

CUSTOMER OUTLINE DRAWING