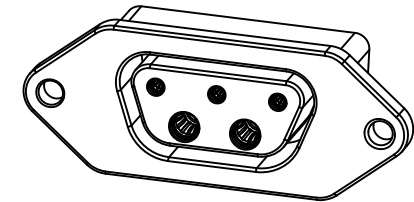
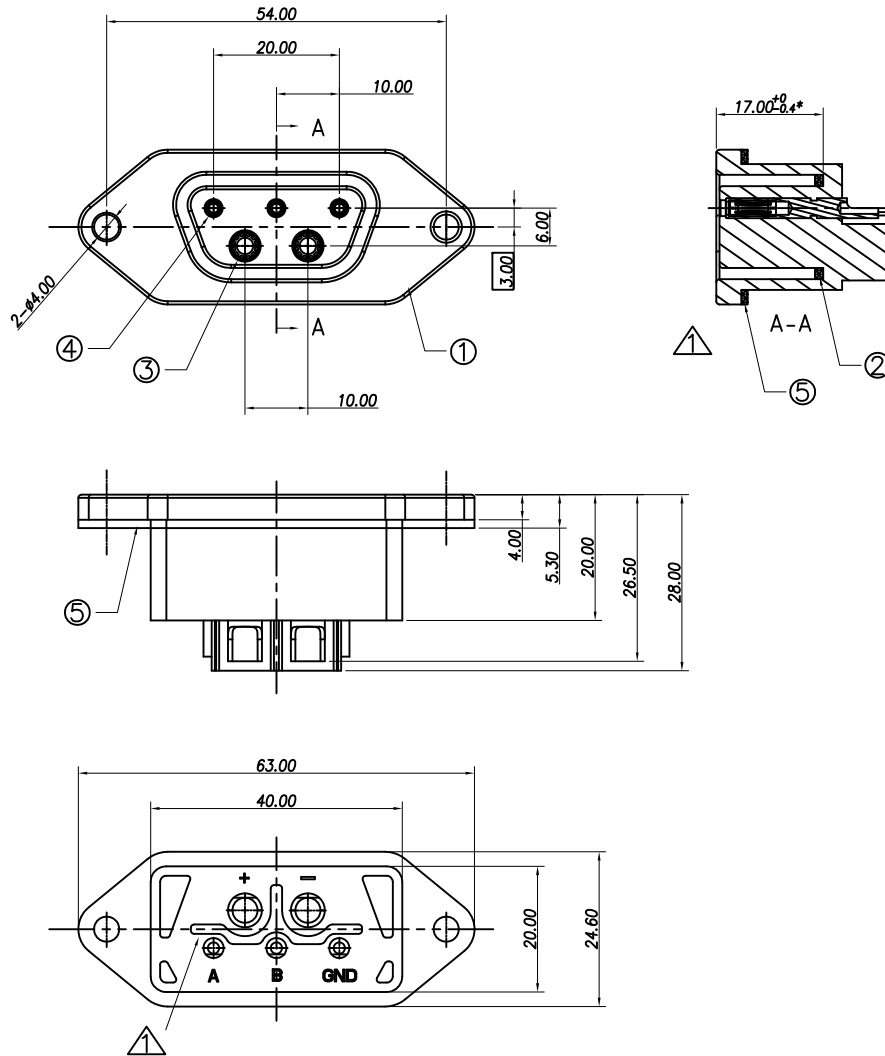


REV	DESCRIPTION	ECN NO.	NAME	DATE
0	FIRST EDITION	N/A	QGZ	2020-04-07
1	变更外观; 变更密封垫片颜色, 更改接触阻抗	N/A	QGZ	2020-04-30

NOTICE: ALL PARTS MUST MEET TO RoHS REQUIREMENTS

RoHS



NOTES:

- Material
Housing: PBT, Color: Black
Contact: Beryllium copper alloy
Contact area 100-200u" nickel plating
- Electrical
Rated Current: 35A (POWER CONTACT)
POWER CONTACT RESISTANCE <1mΩ, signal contact <3mΩ
Dielectric Strength: AC 1000V
Insulation Resistance: DC-500V 100MΩ MIN
- Contact Insertion force
Power contact ≥10N (3.6mm male pin)
signal contact ≥6N (1.9mm male pin)
- Connector Insertion force: 40~70N
- Temperature Range: -20°C~+80°C
- Female Connector IP67

NO.	DESCRIPTION	Q'TY
5	WASHER, SILICONE RUBBER RED	1
4	1.9mm FEMALE CONTACT ASSY	3
3	3.6mm FEMALE CONTACT ASSY	2
2	GASKET, SILICONE RUBBER RED	1
1	HOUSING, PBT BLACK	1

ISSUE	1	SCALE	1/1	PART NO.	
				APPROVED	
UNLESS OTHERWISE SPECIFIED 1) EDGES C0.15 MAX. 2) REMOVE ALL BURRS 3). SURFACE ROUGHNESS Ra1.6 4).UNITS: mm 5). XX±0.2 .XXX±0.1				CHECKED	
				DRAWN	
				DATE 2020-04-30	
				TITLE	N1-5PIN FEMALE CONNECTOR
				DRAWING NO.	5EZF45S-A00-012
				Company Website:	http://www.silkcorp.com

CUSTOMER OUTLINE DRAWING

CUSTOMER OUTLINE DRAWING