
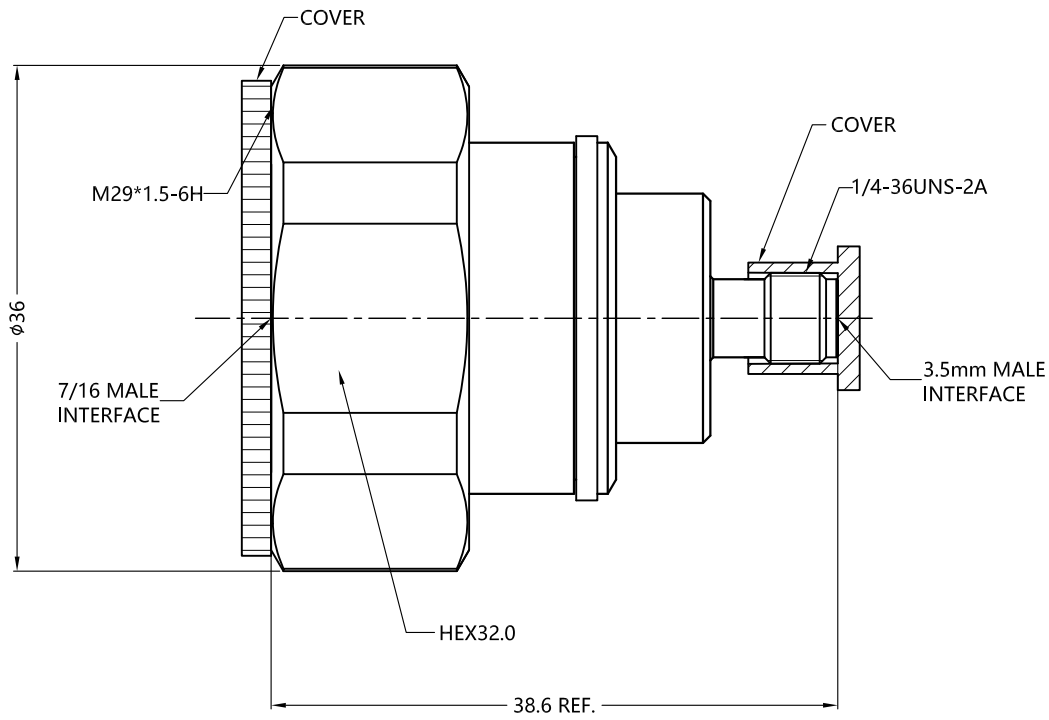


REV.	DESCRIPTION	ECN NO.	NAME	DATE	 ALL PARTS MUST MEET TO RoHS REQUIREMENTS
1	REPLACE FRAME	N/A	Kevin.Li	2020-08-27	



MATERIALS AND PLATING		UNIT: MICRO-INCHES
PART NAME	MATERIALS	PLATING
BODY/SHELL	BRASS	ALBALOY 80u"/COPPER
INSULATOR	PTFE ASTM-D-1710	N/A
CONTACT PIN	BERYLLIUM COPPER	GOLD 5u"/COPPER
GASKET	SILICONE	N/A

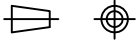
ELECTRICAL CHARACTERISTICS	
IMPEDANCE	50 Ω
VOLTAGE RATING	750 V(rms)
FREQUENCY RANGE	0 ~ 6 GHz
DIELECTRIC WITHSTANDING VOLTAGE	>1000 V
CONTACT RESISTANCE	CENTER CONTACT
	OUTER CONTACT
INSULATION RESISTANCE	>5000 MΩ
INSERTION LOSS	N/A
VSWR	< 1.15
3RD INTERMODULATION	≤ -165dBc (2X43dBm /1800MHz900MHz)

MECHANICAL CHARACTERISTICS	
FORCE TO ENGAGE AND DISENGAGE	N/A
CENTER CONTACT RETENTION FORCE	> 45 lbs
RECOMMENDED COUPLING TORQUE	177 ~ 265 in-lbs(7/16)
COUPLING NUT RETENTION FORCE	> 225 lbs(7/16)
DURABILITY	> 500cycles

ENVIRONMENTAL PARAMETER	
TEMPERATURE RANGE	-55°C - +155°C
THERMAL SHOCK	MIL- STD 202, Meth. 107,Cond. B
VIBRATION	MIL- STD 202, Meth. 204,Cond. A
CLIMATIC CLASS	IEC 60068 65/165/21

*** CUSTOMER OUTLINE DRAWING**

UNLESS OTHERWISE SPECIFIED:
 1) EDGES : C0.15 MAX ;
 2) REMOVE ALL BURRS ;
 3) SURFACE ROUGHNESS : Ra1.6 ;
 4) UNITS : mm ;
 5) DIMENSIONS TOLERANCES
 DECIMALS : .x ±0.3 .xx ±0.2 .xxx±0.1;
 ANGLES : ± 5°.

THIRD ANGLE PROJECTION		
APPROVED :	CUSTOMER P/N :	
CHECKED :	SCALE :	
DRAWING :	DATE : 2020-08-27	
PAGE : 1/1		



TITLE :	7/16 MALE S/T TO 3.5mm FEMALE S/T ADAPTER,50Ω
DRAWING NO. :	5A7M06S-P3F-001
COMPANY WEBSITE :	www.slkcorp.com

CUSTOMER OUTLINE DRAWING